

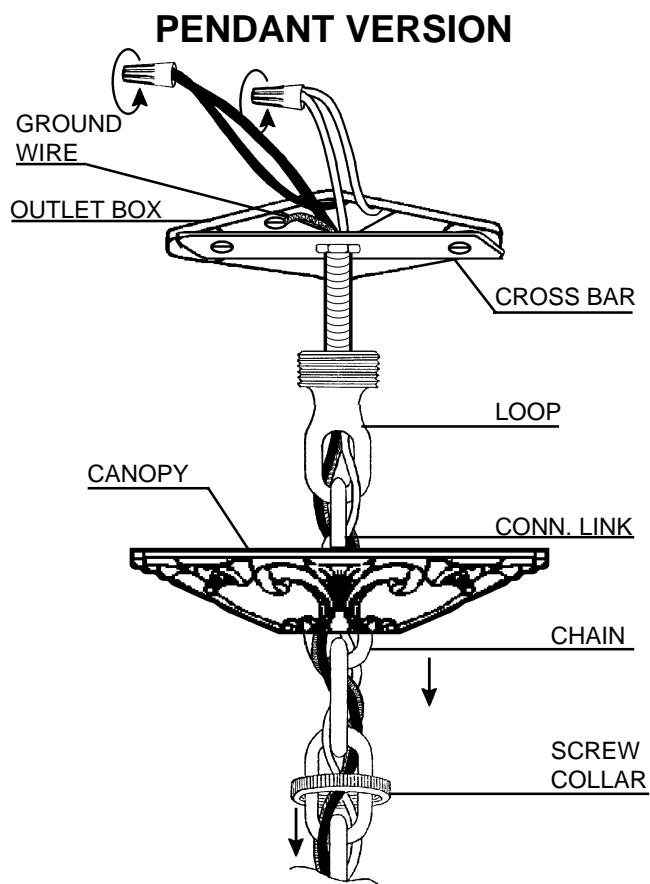
Instructions for electrician
STEPS 2 - 6

WARNING:

2

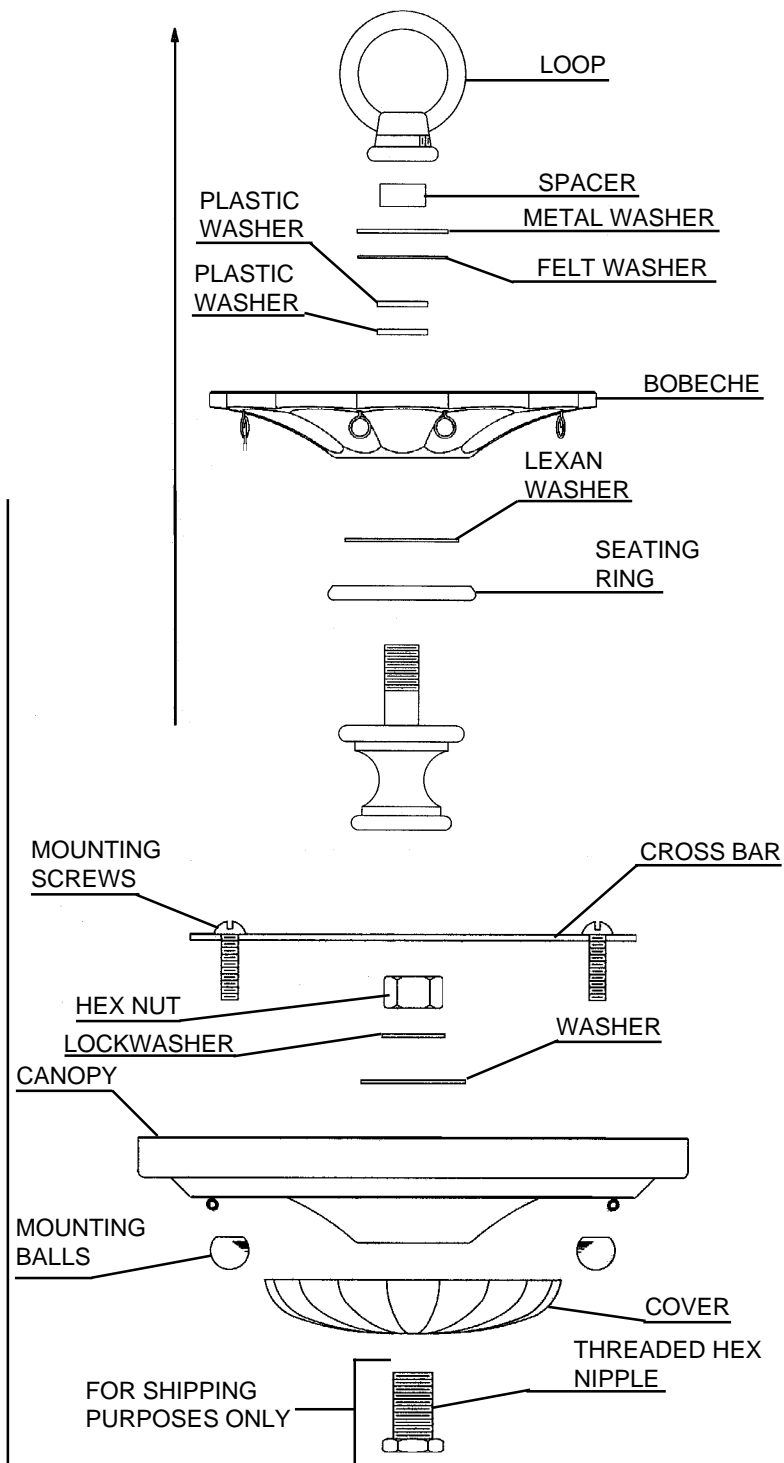
Electrical Danger Turn Power Off

All electrical components must be installed by a licensed electrician in accordance with the National Electric Code and the appropriate local electrical codes.



- 3** Attach crossbar to outlet box.
- 4** Slip screw collar and metal canopy over chain. Determine the suspension length of the fixture and cut chain, if necessary. Use two connecting links to attach chain to chandelier loop and ceiling loop.
- 5** Insert stem wire through chain and ceiling loop. Connect wire. Fixture **MUST** be grounded. Check distance from ceiling to loop to assure canopy assembly will be flush against ceiling and tighten with lock nut. Attach canopy to ceiling with screw collar.
- 6** Screw bulb into socket. Test power to insure proper wiring before hanging trim from fixture.

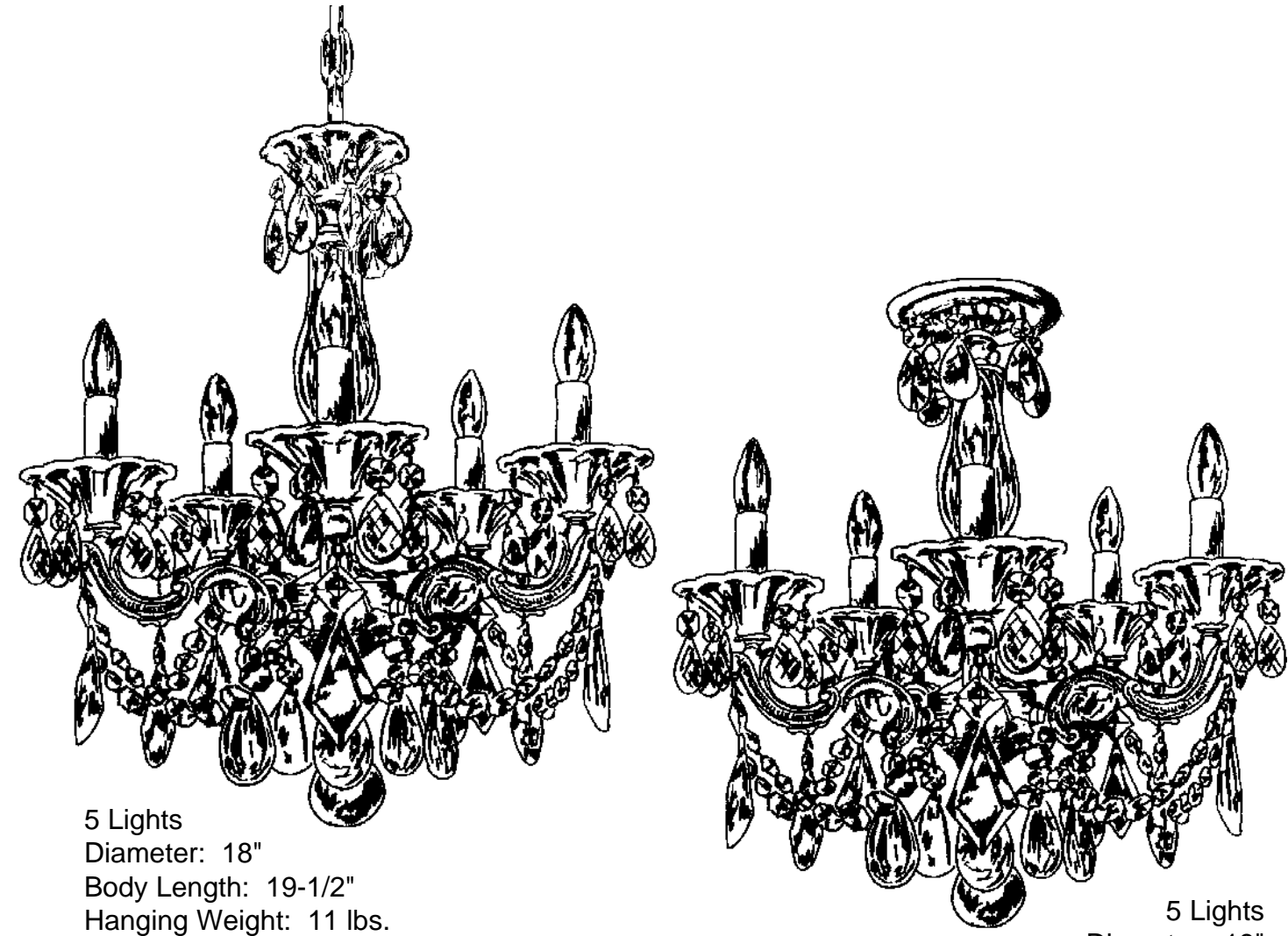
CLOSE TO CEILING VERSION



- 3** Remove set screw with tool provided. Remove all component parts from loop to seating ring. Remove threaded hex nipple and nut from assembled canopy. Run wires up through cover, canopy and component parts and tighten hex nut.
- 4** Attach cross bar to outlet box. Connect wires. Fixture must be grounded.
- 5** Attach canopy to ceiling with mounting balls, thereby retaining complete fixture against ceiling.
- 6** Screw bulb into socket. Test power to insure proper wiring before hanging trim from fixture.

CHANDELIER 5345-___ TRIM DIAGRAM

(Finish Option)



T HIS DESIGN IS THE PROPRIETARY TRADE DRESS/TRADEMARK OF SCHONBEK WORLDWIDE LIGHTING INC.

SCHONBEK®

See diagram on back page
Follow steps in exact order
Save this trim diagram for future reference

1 **IMPORTANT**
Person who opens carton should record the following information for future service.

CODE # _____ Four-digit number on outside of carton.
PACKER # _____ See crystal package label.
ORDER # _____ See crystal package label.



**Instructions for
crystal trimming
STEPS 7 - 15**



7

You will need 5 - C10
25 Watts Recommended
40 Watts Max

**Install bulbs and be
sure to test fixture
BEFORE trimming.**

