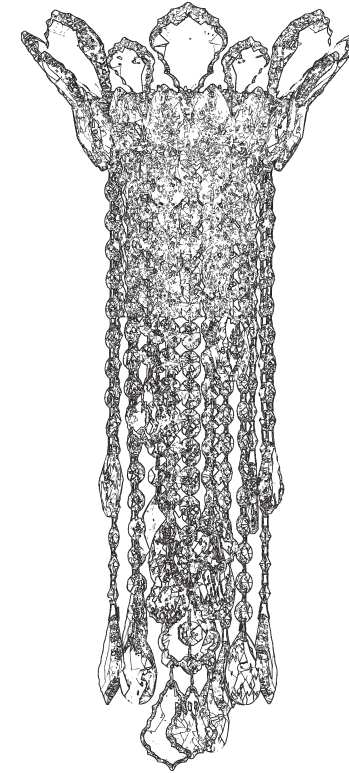




SCHONBEK®

**TRILLIANE STRANDS
TR0833N- __ __A**



THIS DESIGN IS THE PROPRIETARY
TRADE DRESS/TRADE MARK OF
SWAROVSKI LIGHTING, LTD.

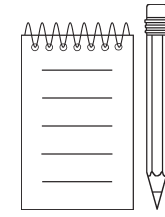
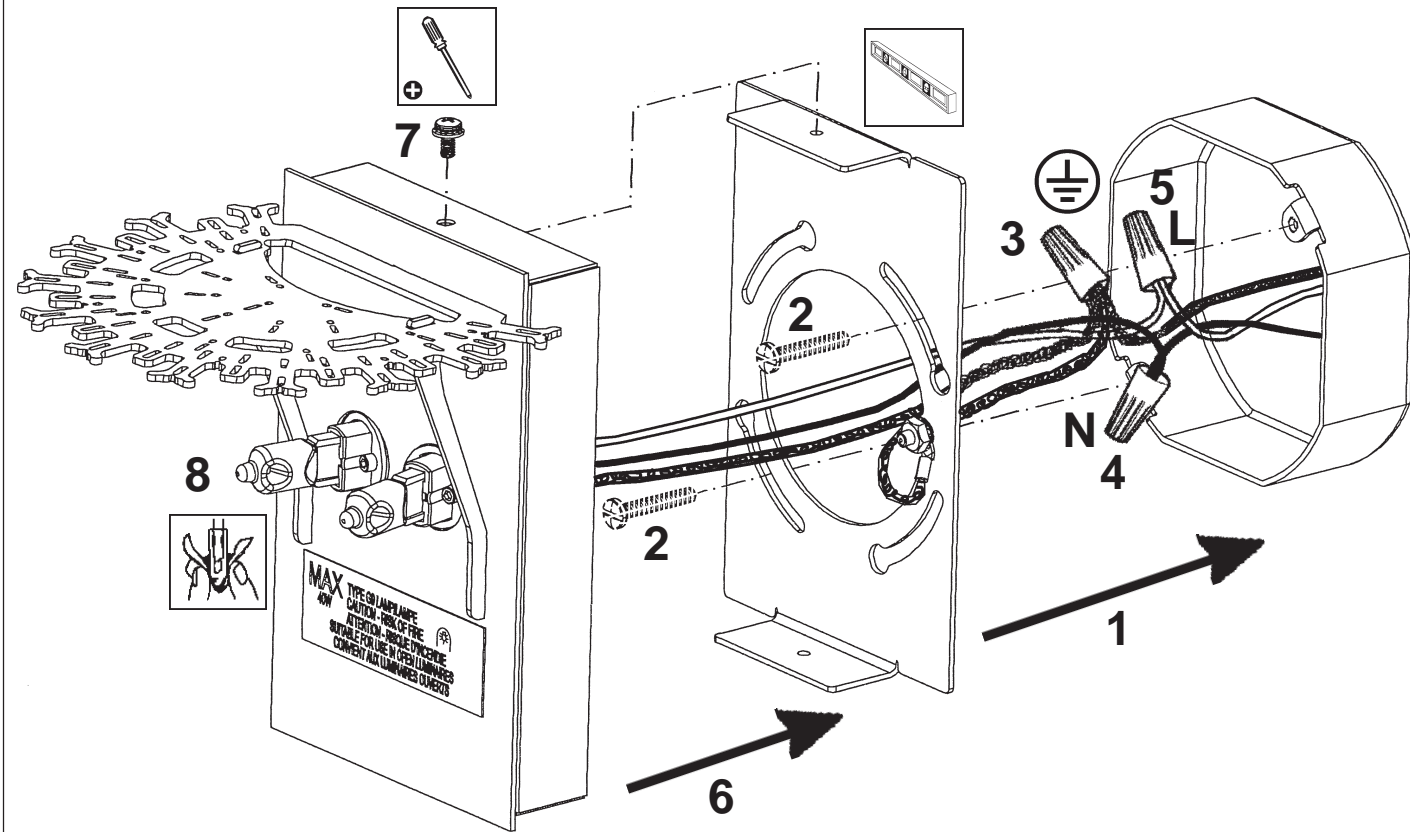
2 Lights
Length: 10"
Height: 21"
Extension: 7-1/2"
Hanging Weight: 6lbs.

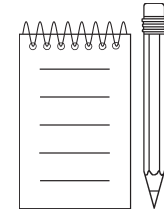
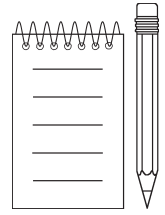


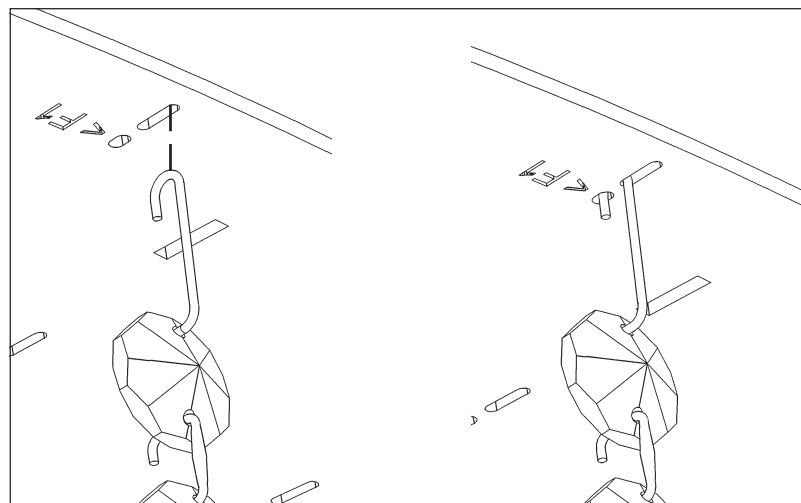
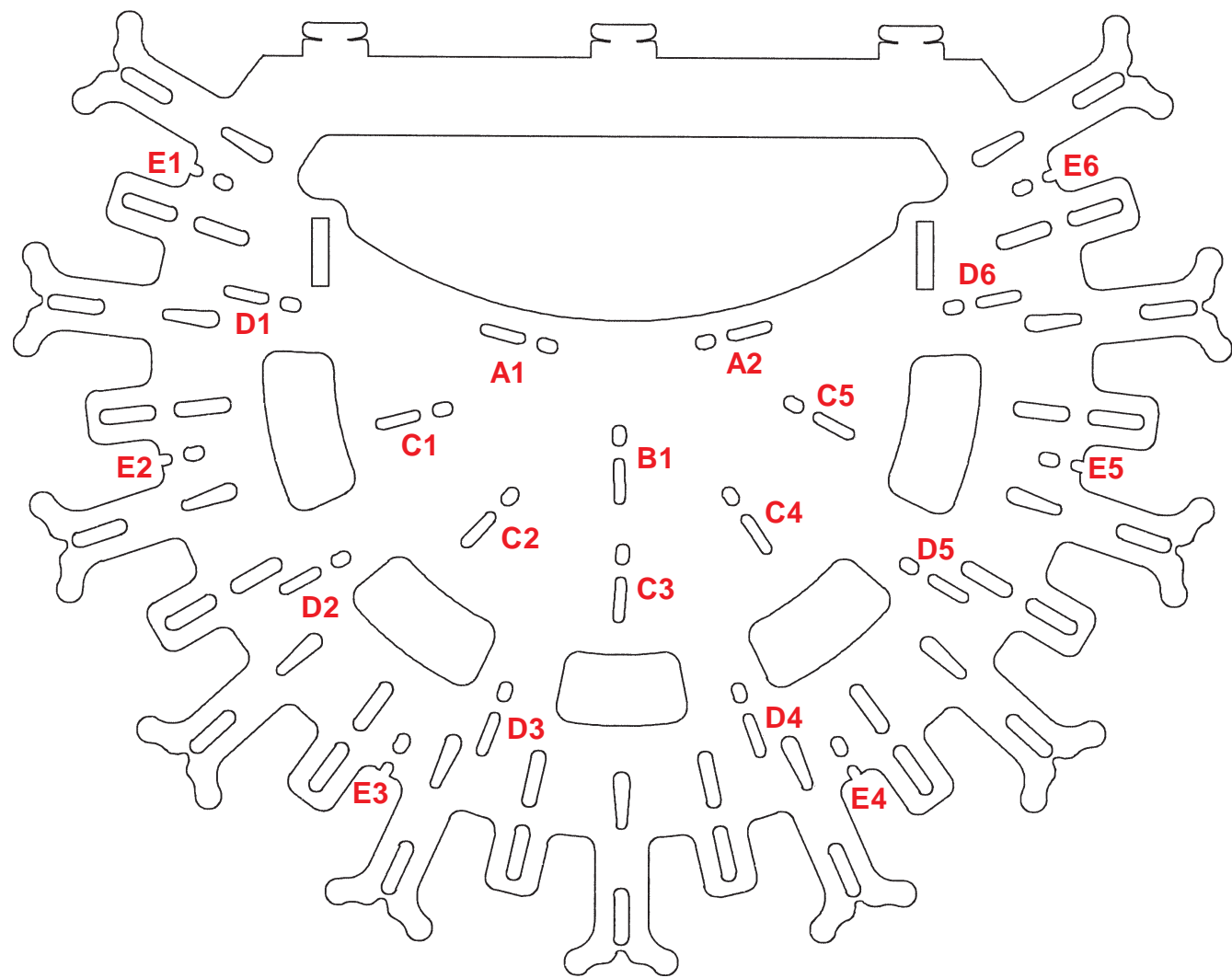
SCHONBEK®

MAX 40 W		110-120 V						

2 X  : G9 40W MAX 







- 9** A1 - A2
- 10** B1
- 11** C1 - C5
- 12** D1 - D6
- 13** E1 - E6

After hanging all trim, remove labels from crystals. If residue remains, wipe off crystal with a soft, dry cloth.

