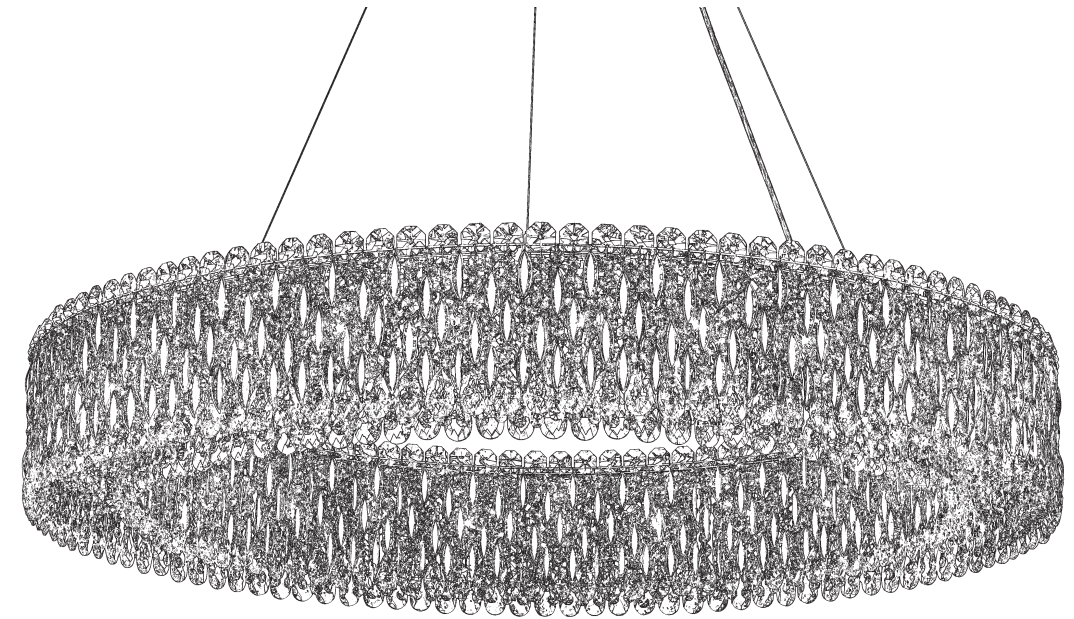


 **SCHONBEK** | 1870










**SARELLA**  
**RS8350N- \_\_ \_\_ H**



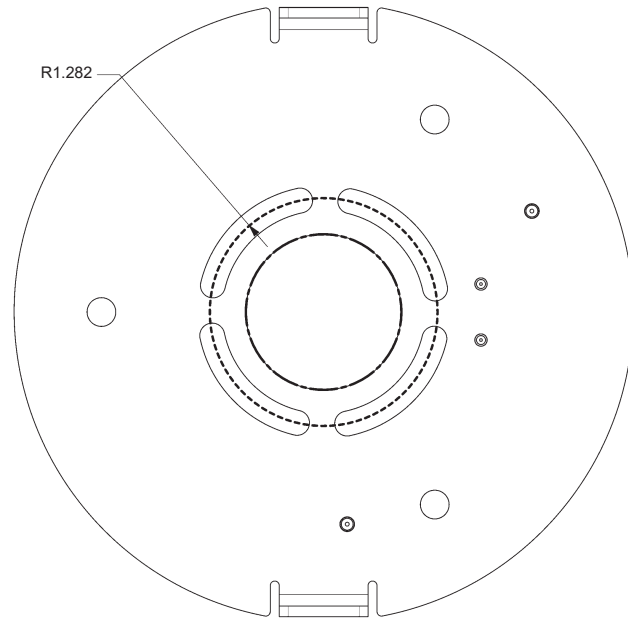
**T**HIS DESIGN IS THE PROPRIETARY  
TRADE DRESS/TRADEMARK OF  
W SCHONBEK LLC.

27 Lights  
Length: 48"  
Height: 8"  
Hanging Weight: 63lbs.

 **SCHONBEK** | 1870

			<b>S</b>					
MAX <b>40</b> W	110-120 V							

**NOTE:** INSTALLER IS SOLELY RESPONSIBLE FOR PROPER MOUNTING!

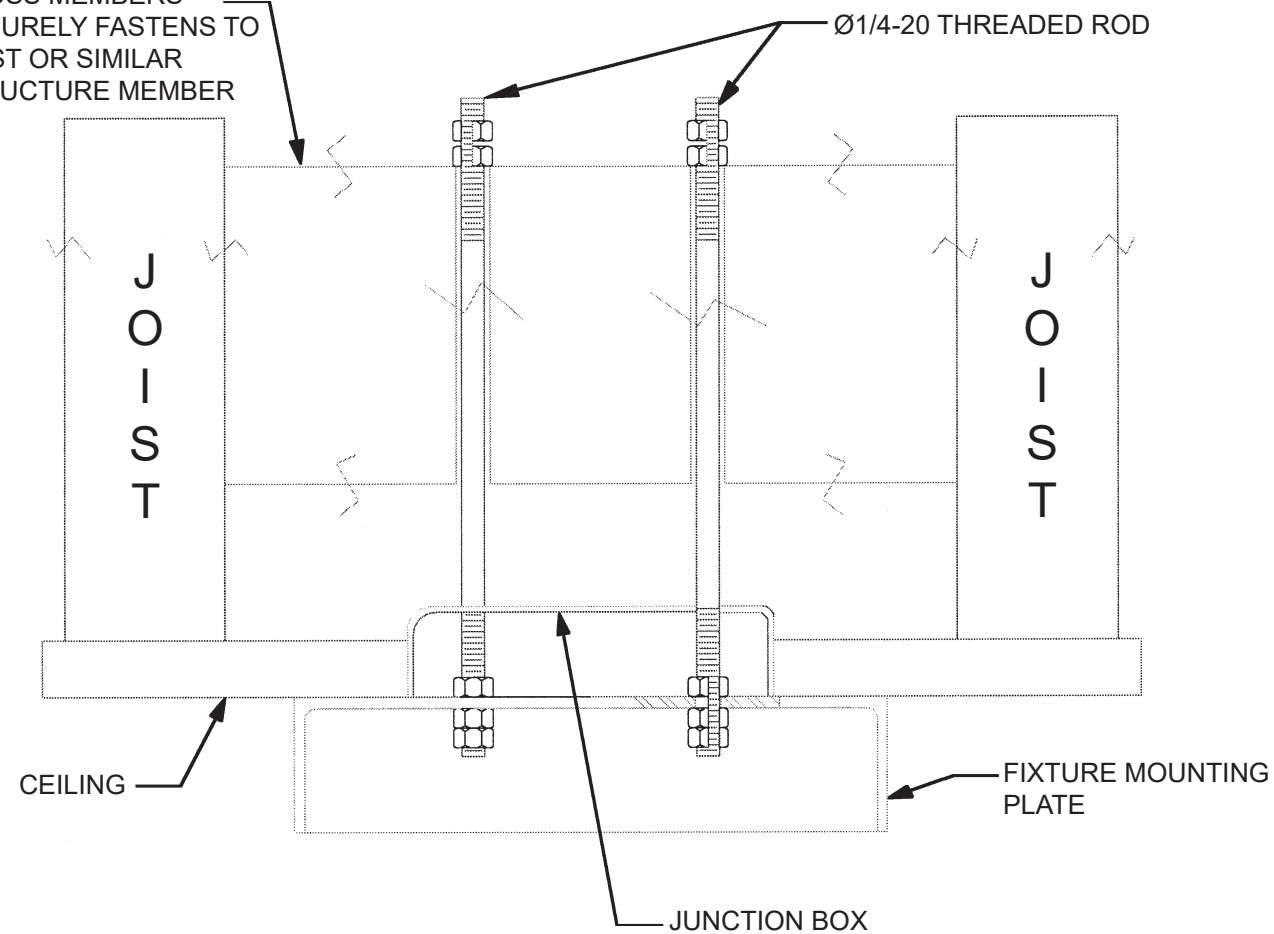


PLAN VIEW OF MOUNTING BRACKET

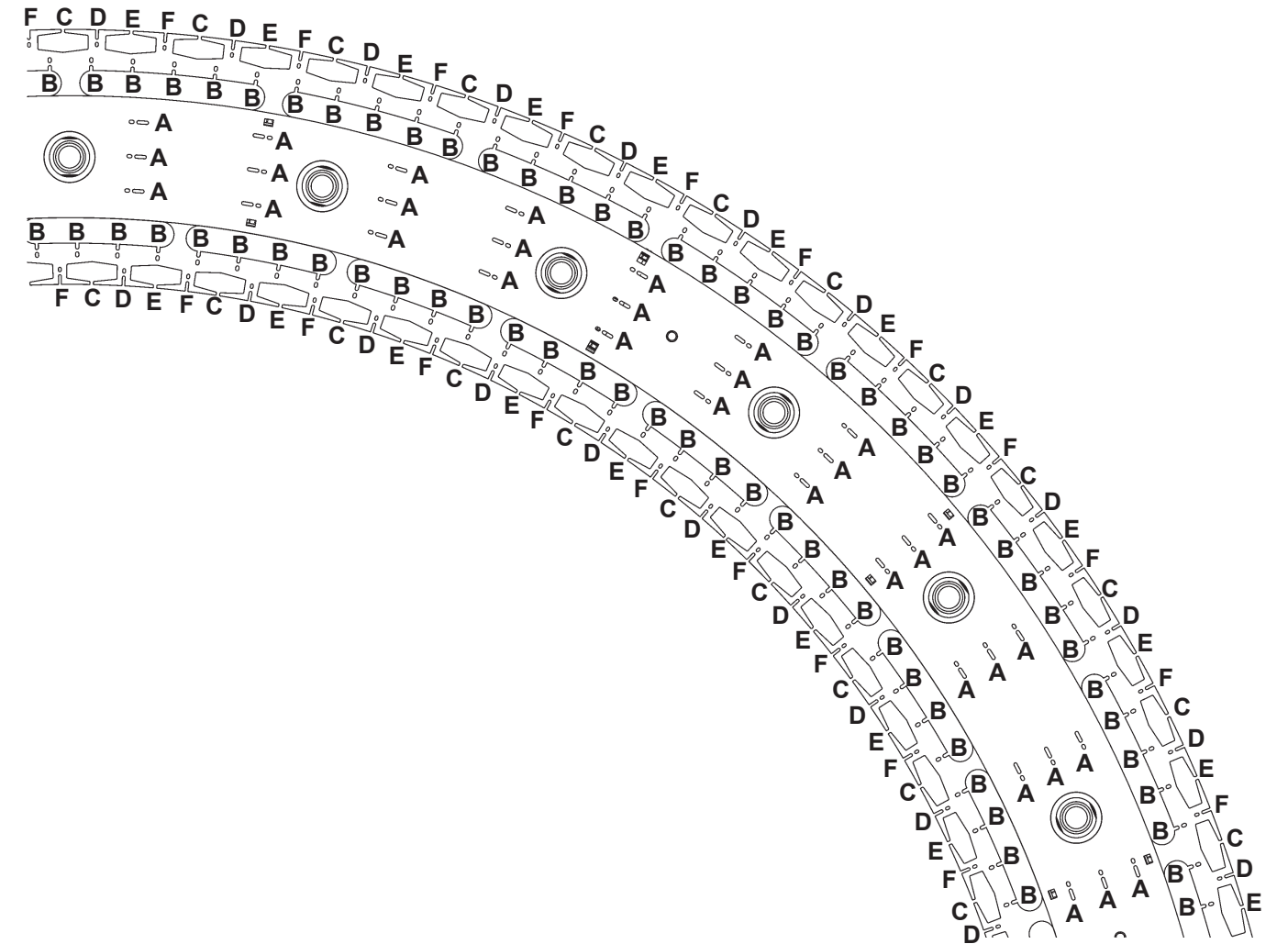
CE LUMINAIRE NE DOIT PAS ÊTRE MONTÉ SUR UNE BOÎTE DE SORTIE NI SUPPORTÉ PAR UNE TELLE BOÎTE. IDENTIFICATION DU FABRICANT \_\_\_\_\_

THIS LUMINAIRE MUST BE MOUNTED OR SUPPORTED INDEPENDENTLY OF AN OUTLET BOX. MANUFACTURER'S IDENTIFICATION \_\_\_\_\_

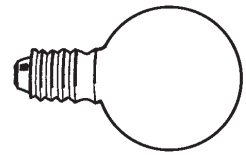
CROSS MEMBERS SECURELY FASTENS TO JOIST OR SIMILAR STRUCTURE MEMBER



**WARNING:** MOUNTING CONFIGURATION AND HARDWARE MUST HOLD 4X THE WEIGHT OF THE FIXTURE. MOUNTING DESIGN AND FIXTURE INSTALLATION SHOULD BE CONDUCTED BY A QUALIFIED LICENSED PROFESSIONAL.

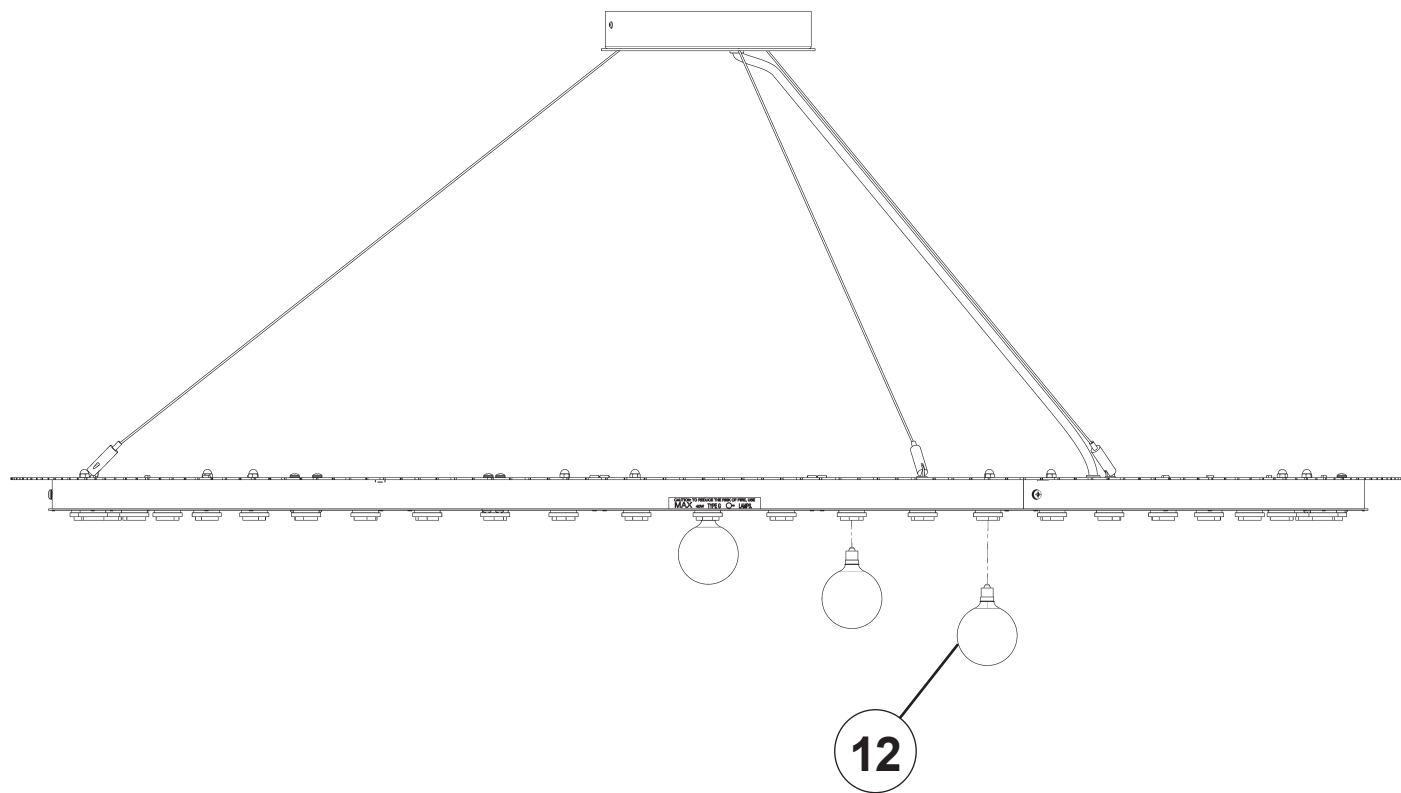
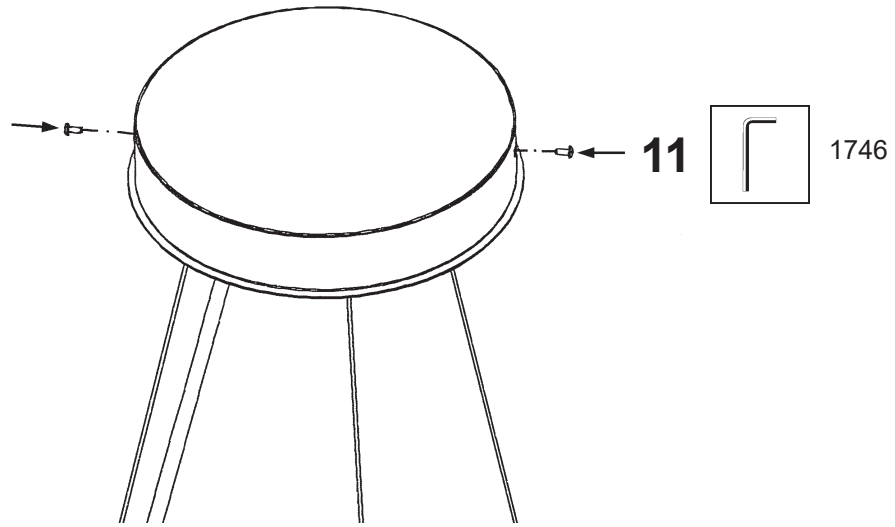


13	A
14	B
15	C
16	D
17	E
18	F

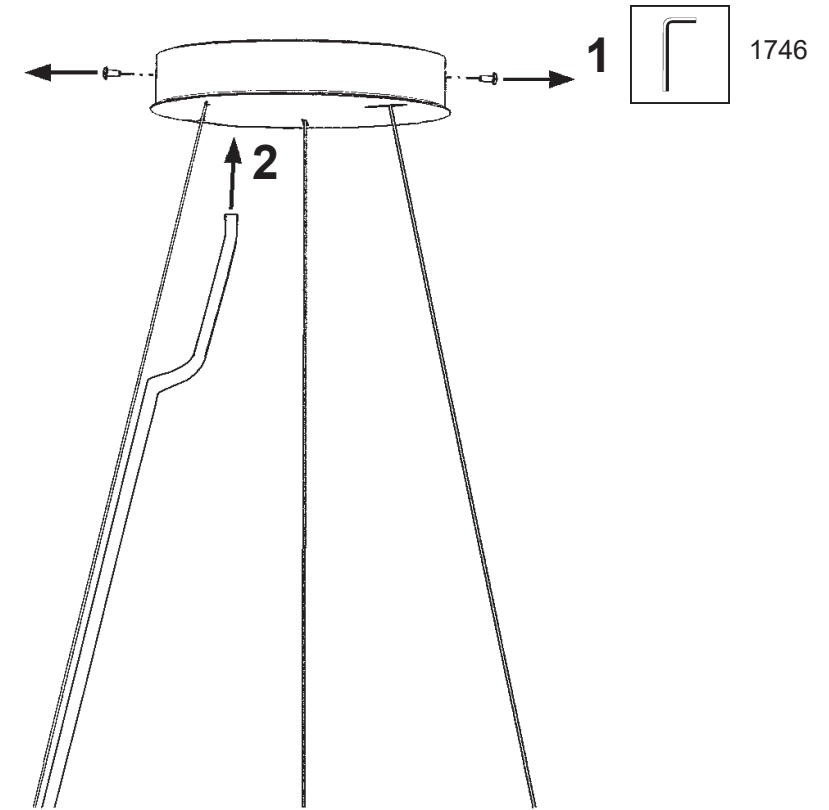


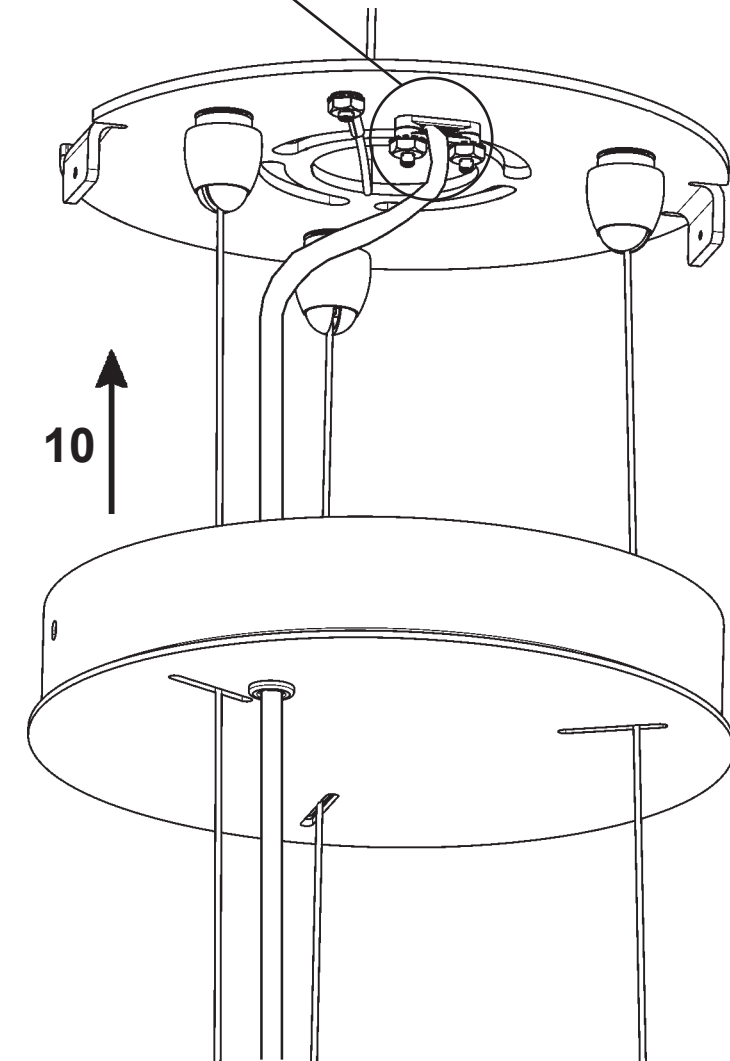
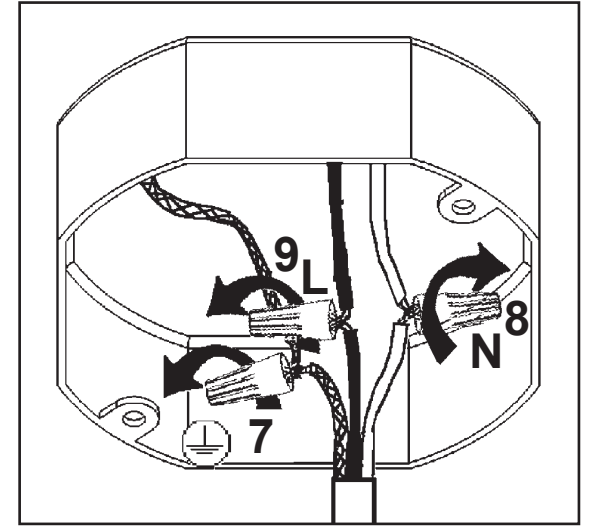
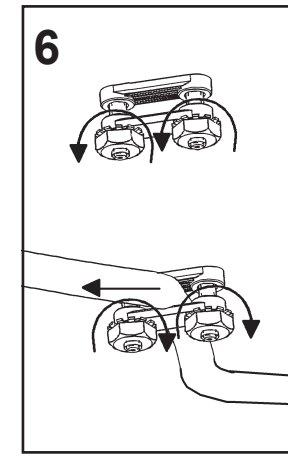
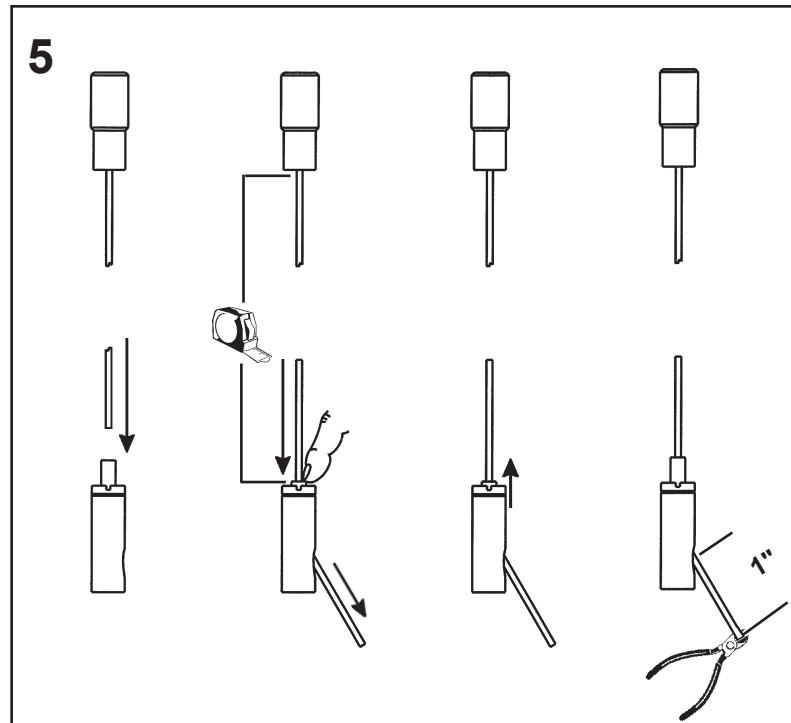
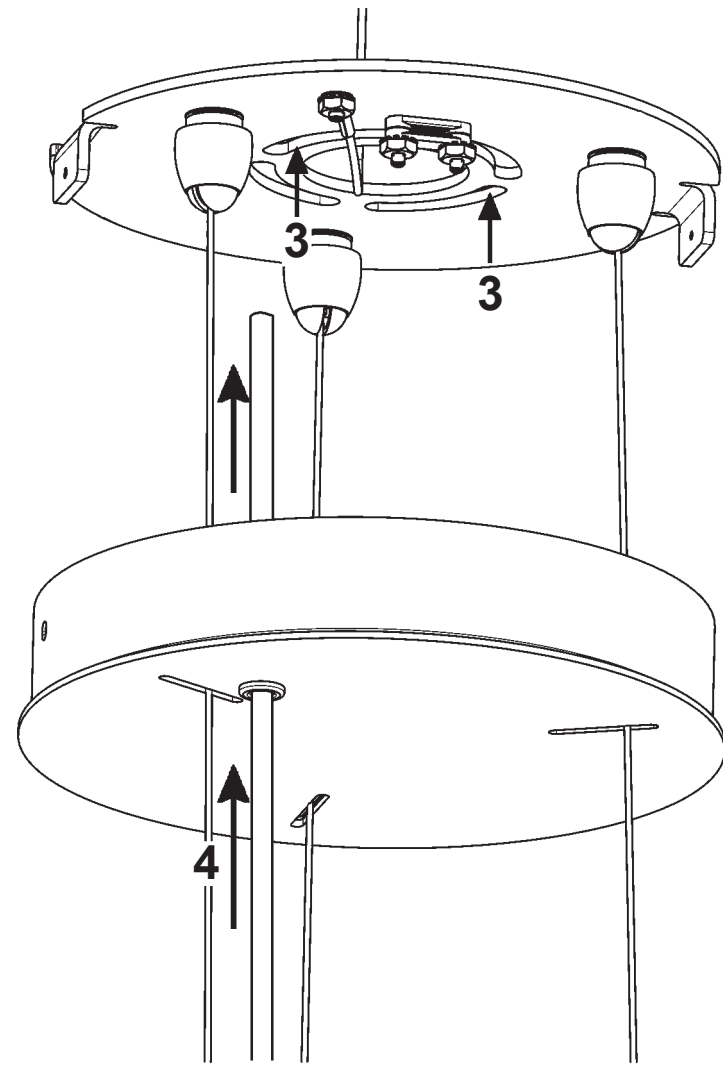
You will need 27 - G16-1/2 Bulbs  
40 Watts Max

Install bulbs and be sure to  
test fixture BEFORE trimming.



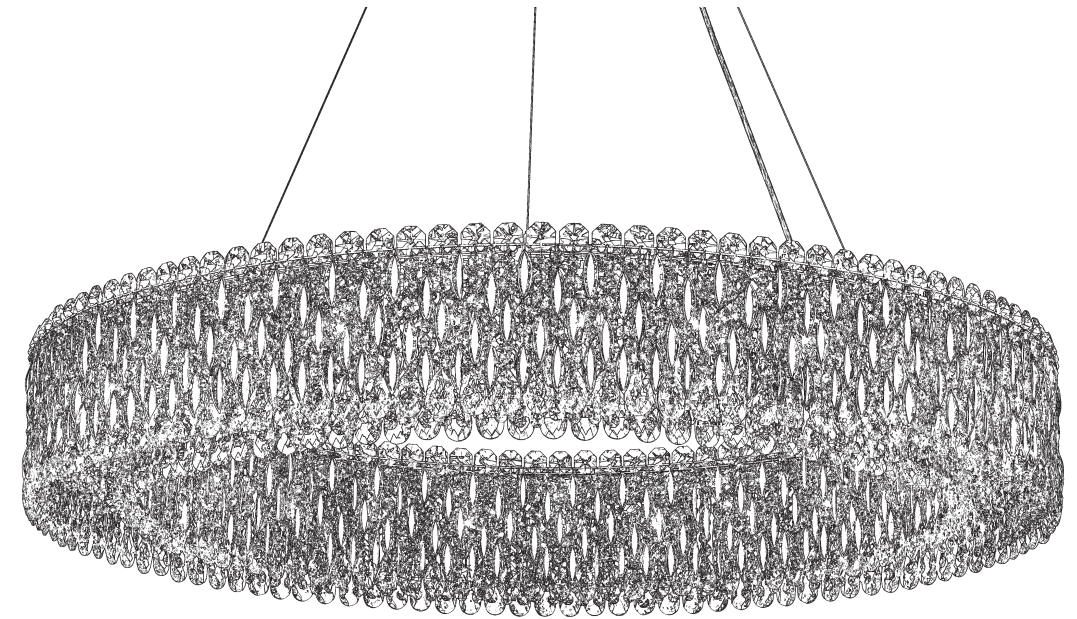
1 X  : 1746





 **SCHONBEK** | 1870










**SARELLA**  
**RS8350N- \_\_ \_\_ R**



**T**HIS DESIGN IS THE PROPRIETARY  
TRADE DRESS/TRADEMARK OF  
W SCHONBEK LLC.

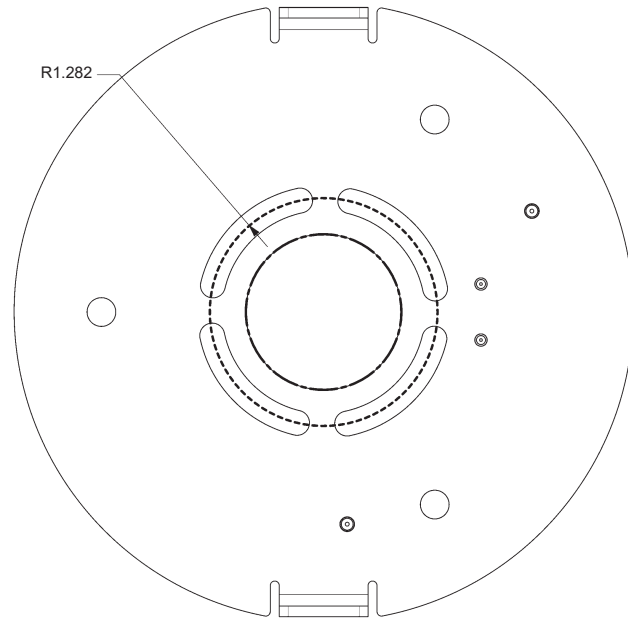
27 Lights  
Length: 48"  
Height: 8"  
Hanging Weight: 63lbs.

 **SCHONBEK** | 1870

			<b>S</b>					
MAX <b>40</b> W	110-120 V							



**NOTE:** INSTALLER IS SOLELY RESPONSIBLE FOR PROPER MOUNTING!

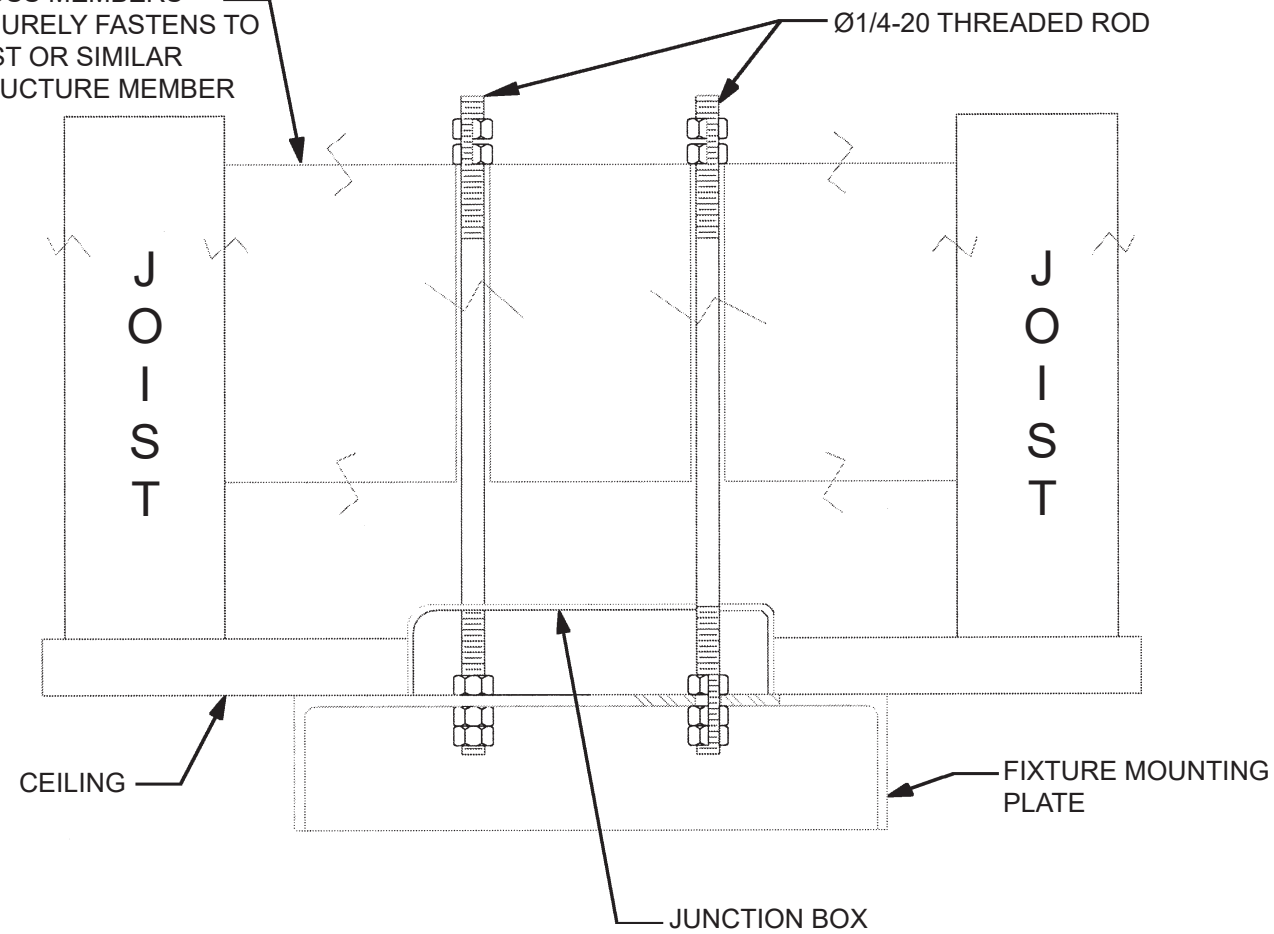


PLAN VIEW OF MOUNTING BRACKET

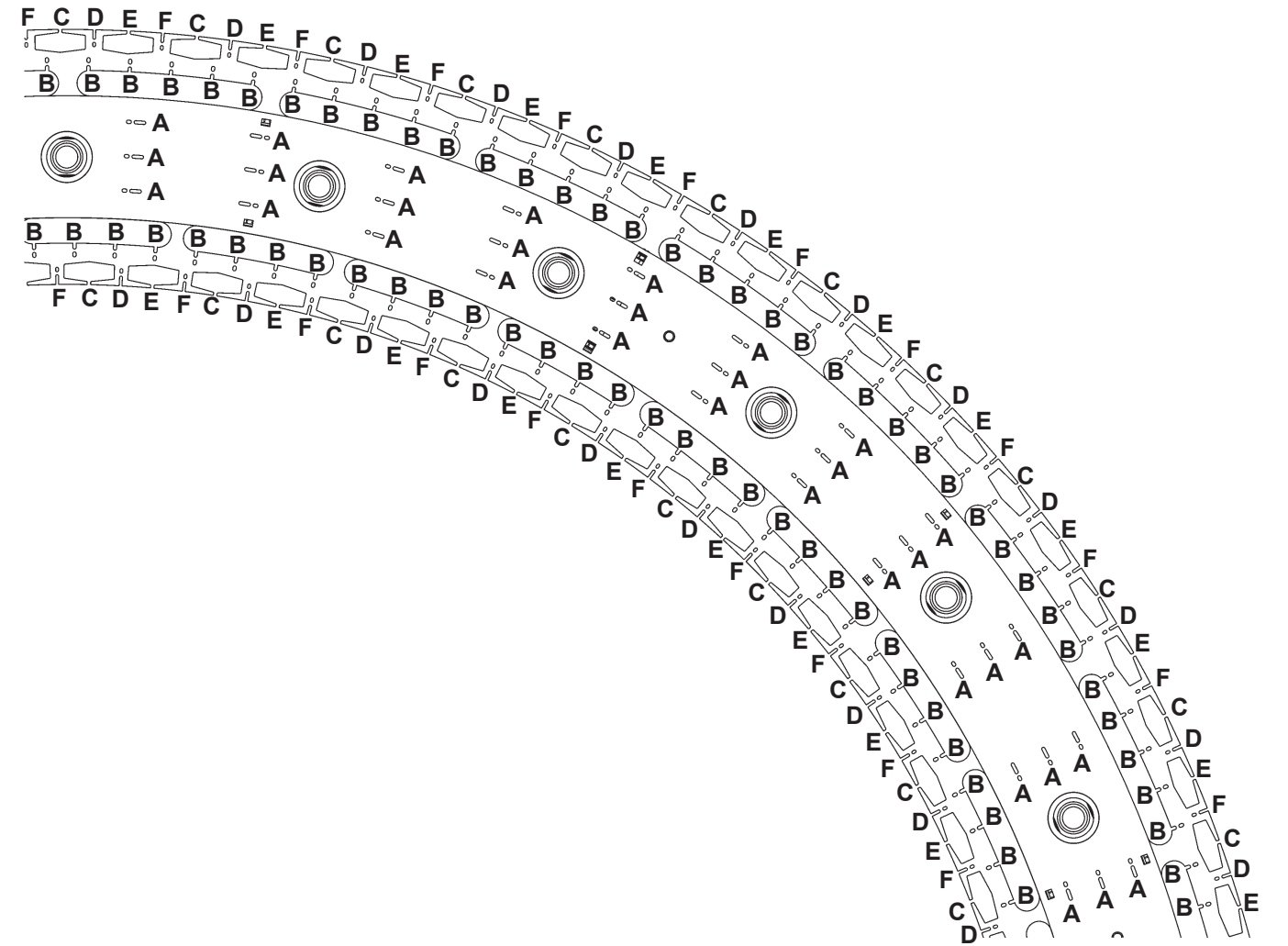
CE LUMINAIRE NE DOIT PAS ÊTRE MONTÉ SUR UNE BOÎTE DE SORTIE NI SUPPORTÉ PAR UNE TELLE BOÎTE.  
IDENTIFICATION DU FABRICANT \_\_\_\_\_

THIS LUMINAIRE MUST BE MOUNTED OR SUPPORTED INDEPENDENTLY OF AN OUTLET BOX.  
MANUFACTURER'S IDENTIFICATION \_\_\_\_\_

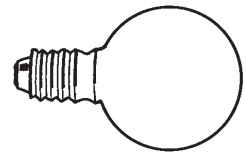
CROSS MEMBERS SECURELY FASTENS TO JOIST OR SIMILAR STRUCTURE MEMBER



**WARNING:**  
MOUNTING CONFIGURATION AND HARDWARE MUST HOLD 4X THE WEIGHT OF THE FIXTURE. MOUNTING DESIGN AND FIXTURE INSTALLATION SHOULD BE CONDUCTED BY A QUALIFIED LICENSED PROFESSIONAL.

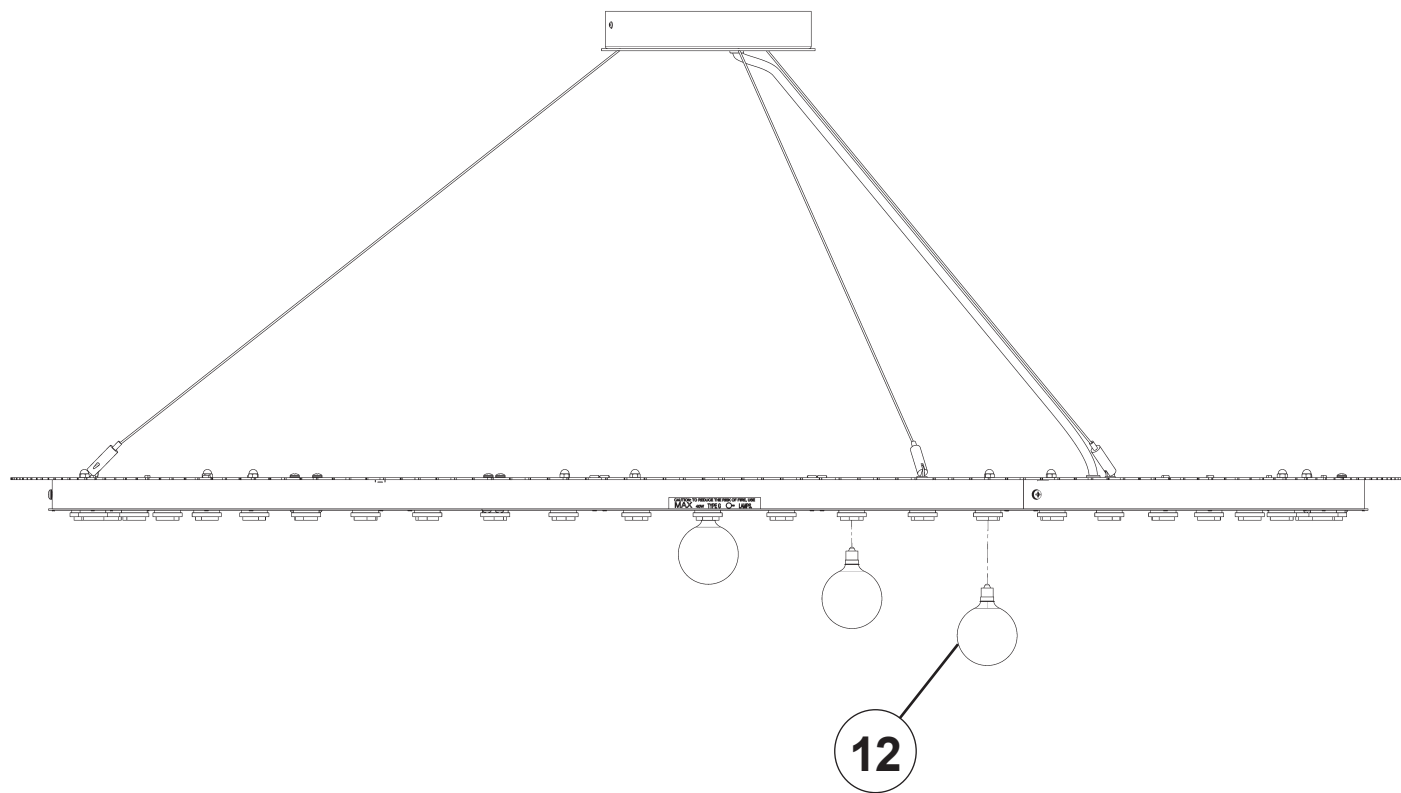
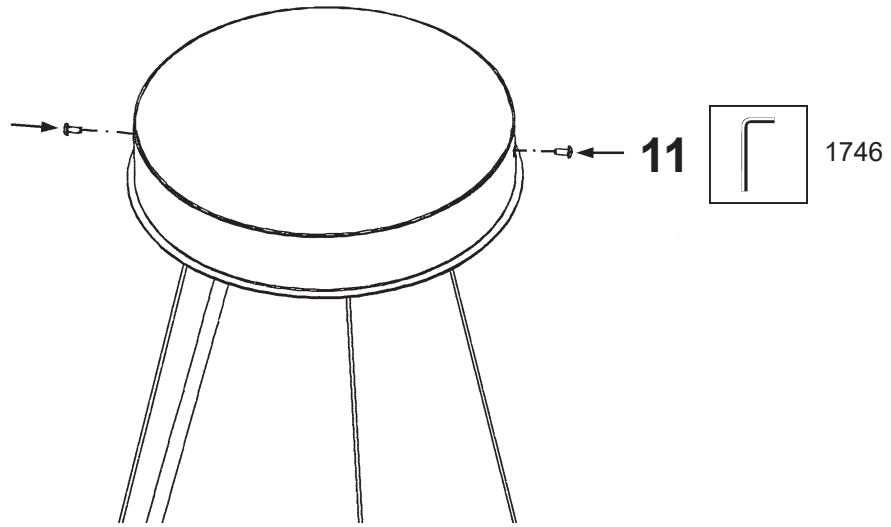


13	A
14	B
15	C
16	D
17	E
18	F

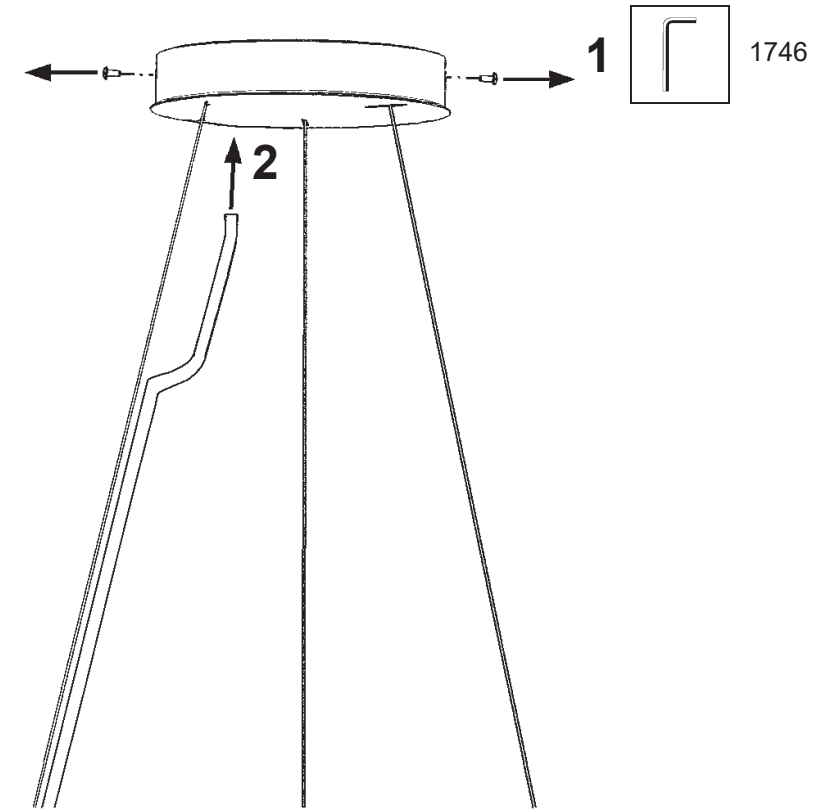


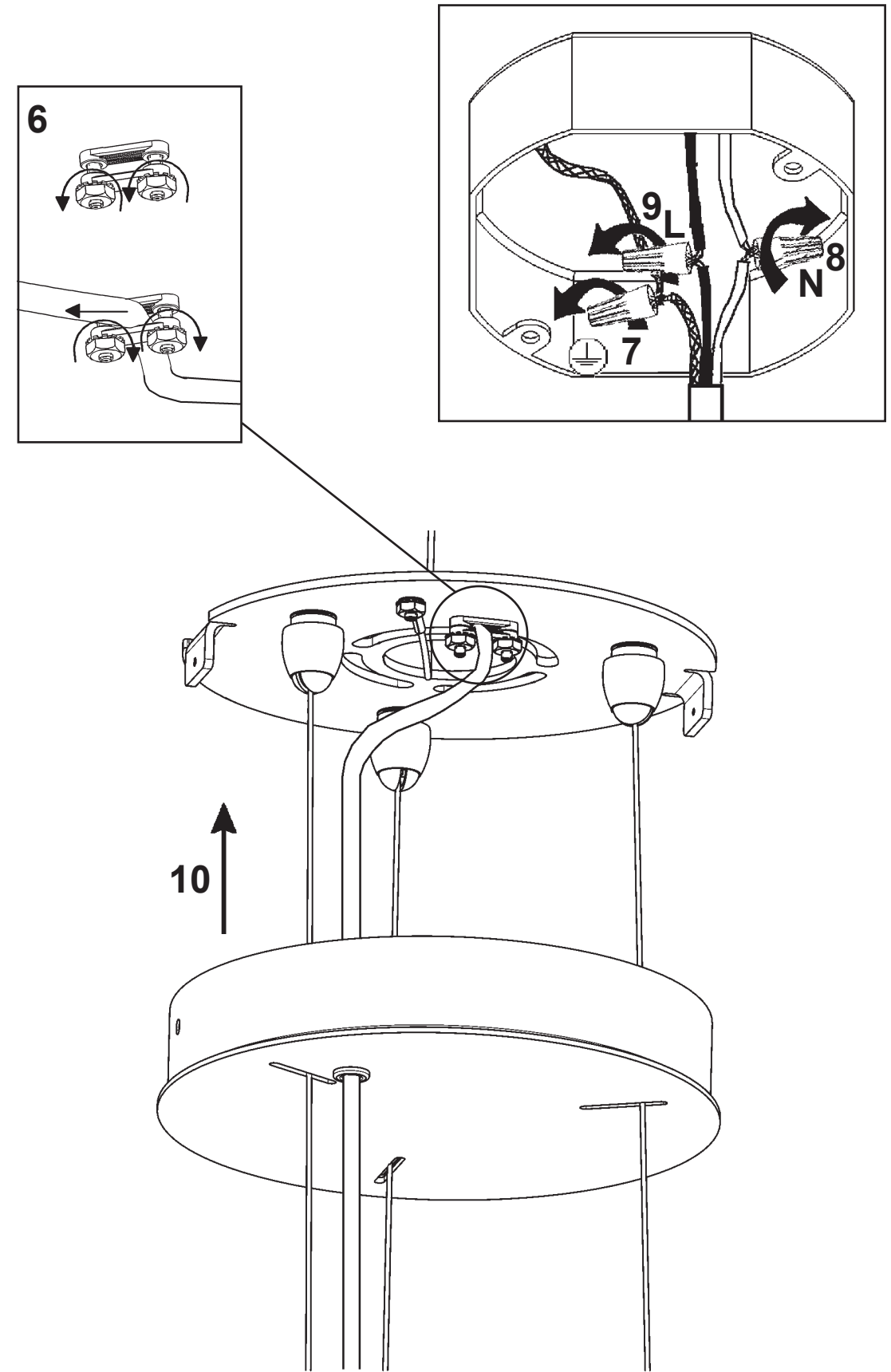
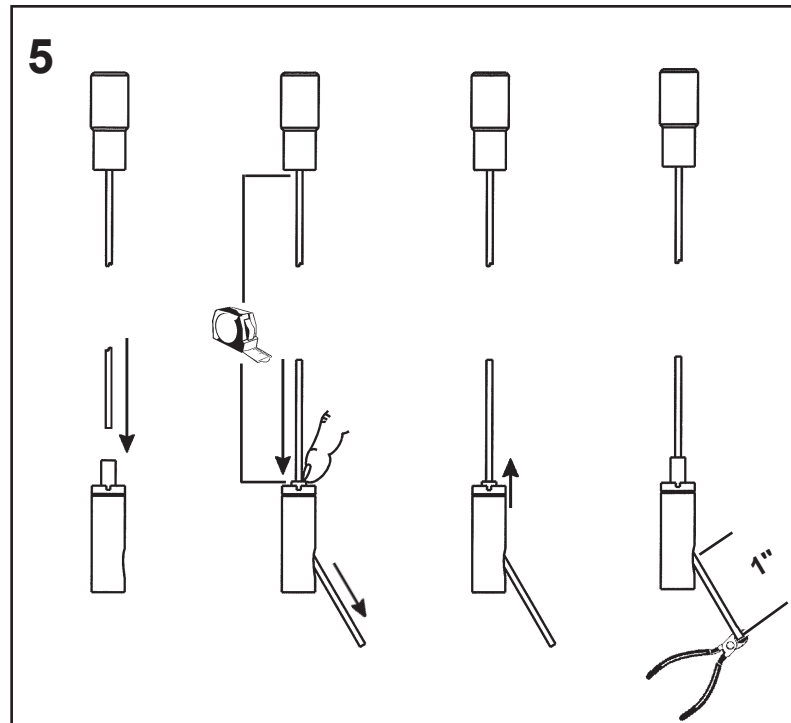
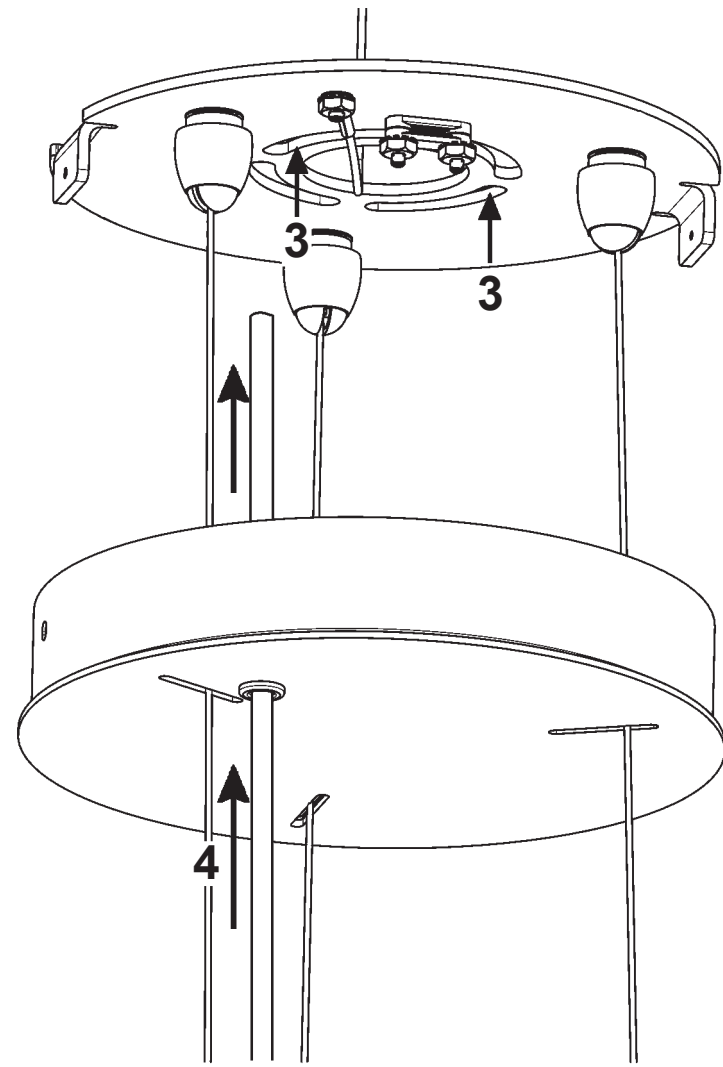
You will need 27 - G16-1/2 Bulbs  
40 Watts Max

Install bulbs and be sure to  
test fixture BEFORE trimming.



1 X  : 1746

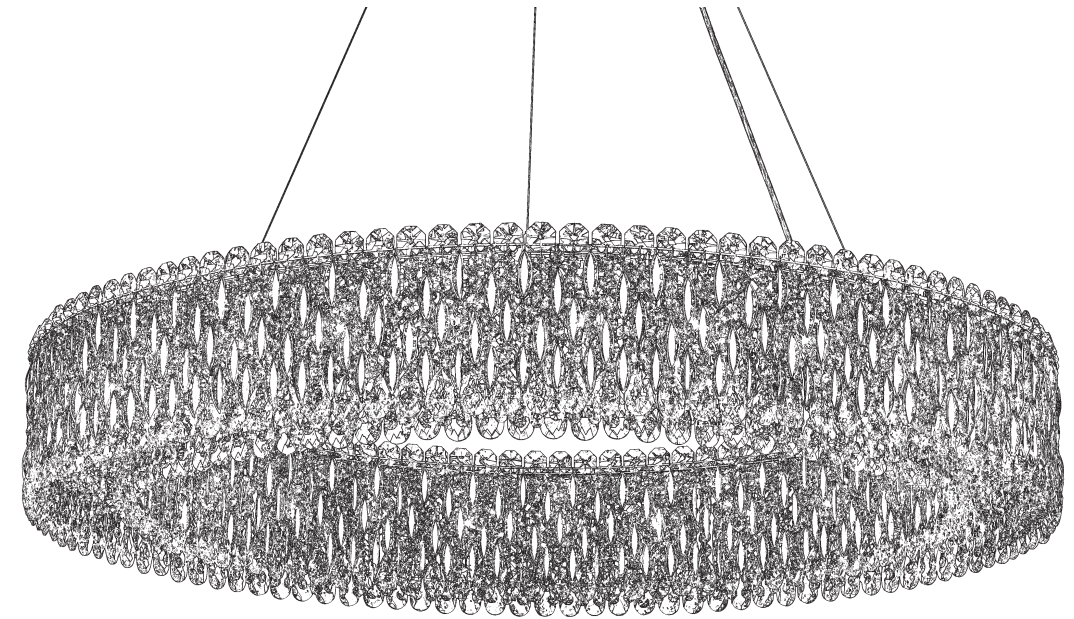






 **SCHONBEK** | 1870










**SARELLA**  
**RS8350N- \_\_ \_\_ S**



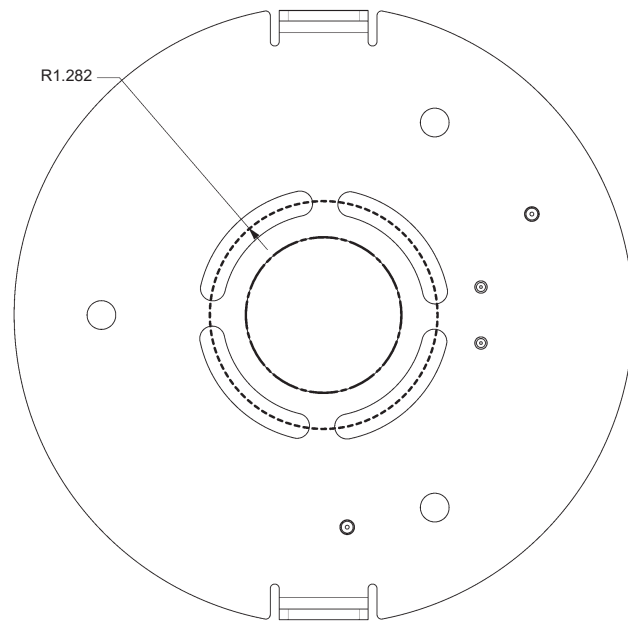
**T**HIS DESIGN IS THE PROPRIETARY  
TRADE DRESS/TRADEMARK OF  
W SCHONBEK LLC.

27 Lights  
Length: 48"  
Height: 8"  
Hanging Weight: 63lbs.

 **SCHONBEK** | 1870

			<b>S</b>					
MAX <b>40</b> W	110-120 V							

**NOTE:** INSTALLER IS SOLELY RESPONSIBLE FOR PROPER MOUNTING!



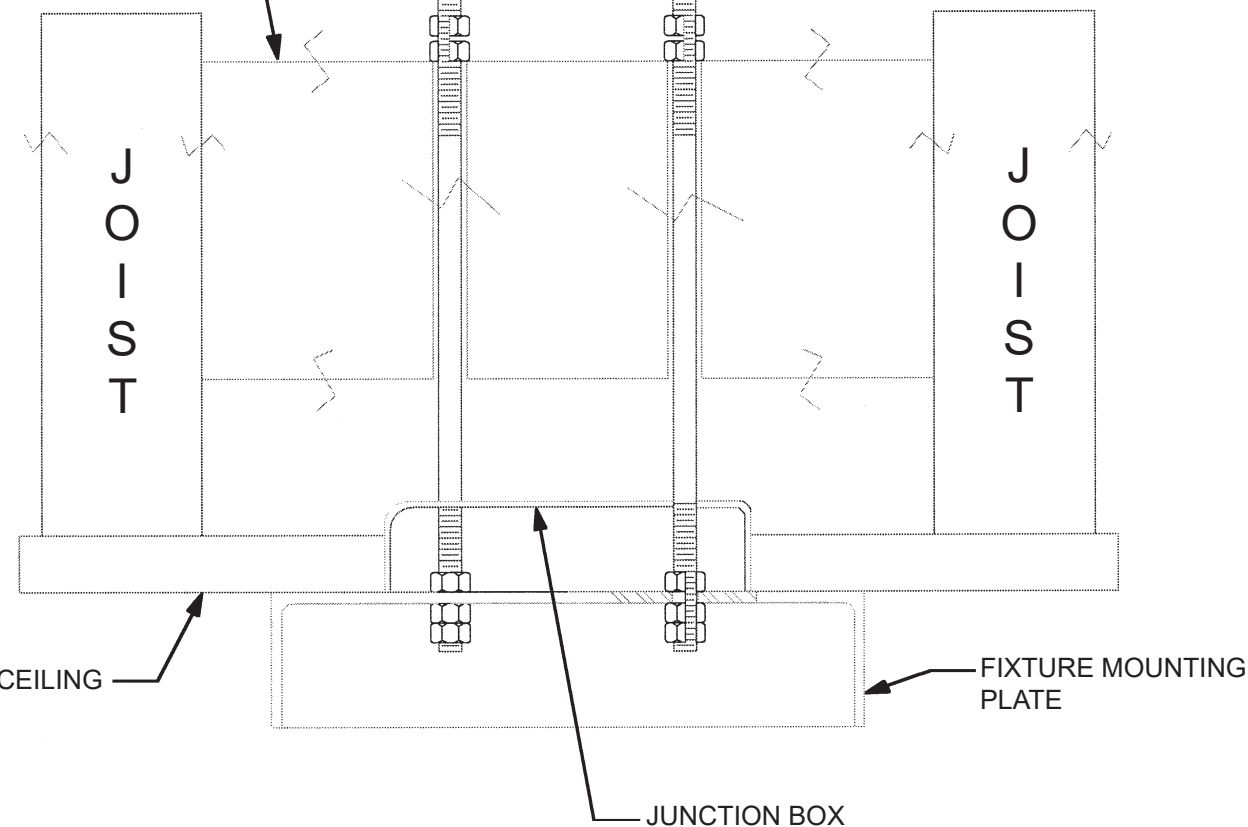
PLAN VIEW OF MOUNTING BRACKET

CE LUMINAIRE NE DOIT PAS ÊTRE MONTÉ SUR UNE BOÎTE DE SORTIE NI SUPPORTÉ PAR UNE TELLE BOÎTE.  
IDENTIFICATION DU FABRICANT \_\_\_\_\_

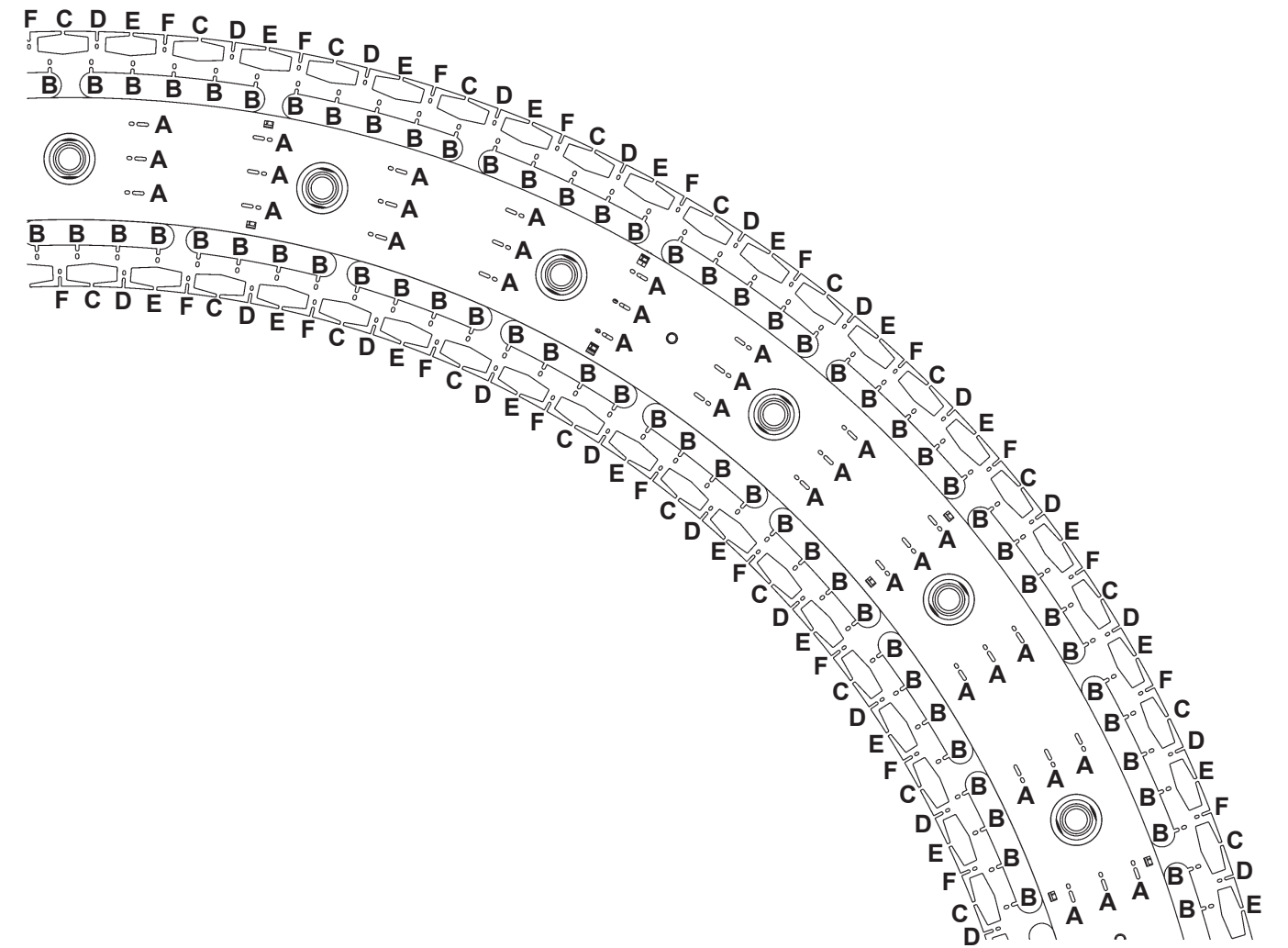
THIS LUMINAIRE MUST BE MOUNTED OR SUPPORTED INDEPENDENTLY OF AN OUTLET BOX.  
MANUFACTURER'S IDENTIFICATION \_\_\_\_\_

CROSS MEMBERS SECURELY FASTENS TO JOIST OR SIMILAR STRUCTURE MEMBER

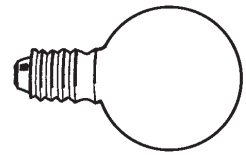
Ø1/4-20 THREADED ROD



**WARNING:**  
MOUNTING CONFIGURATION AND HARDWARE MUST HOLD 4X THE WEIGHT OF THE FIXTURE. MOUNTING DESIGN AND FIXTURE INSTALLATION SHOULD BE CONDUCTED BY A QUALIFIED LICENSED PROFESSIONAL.

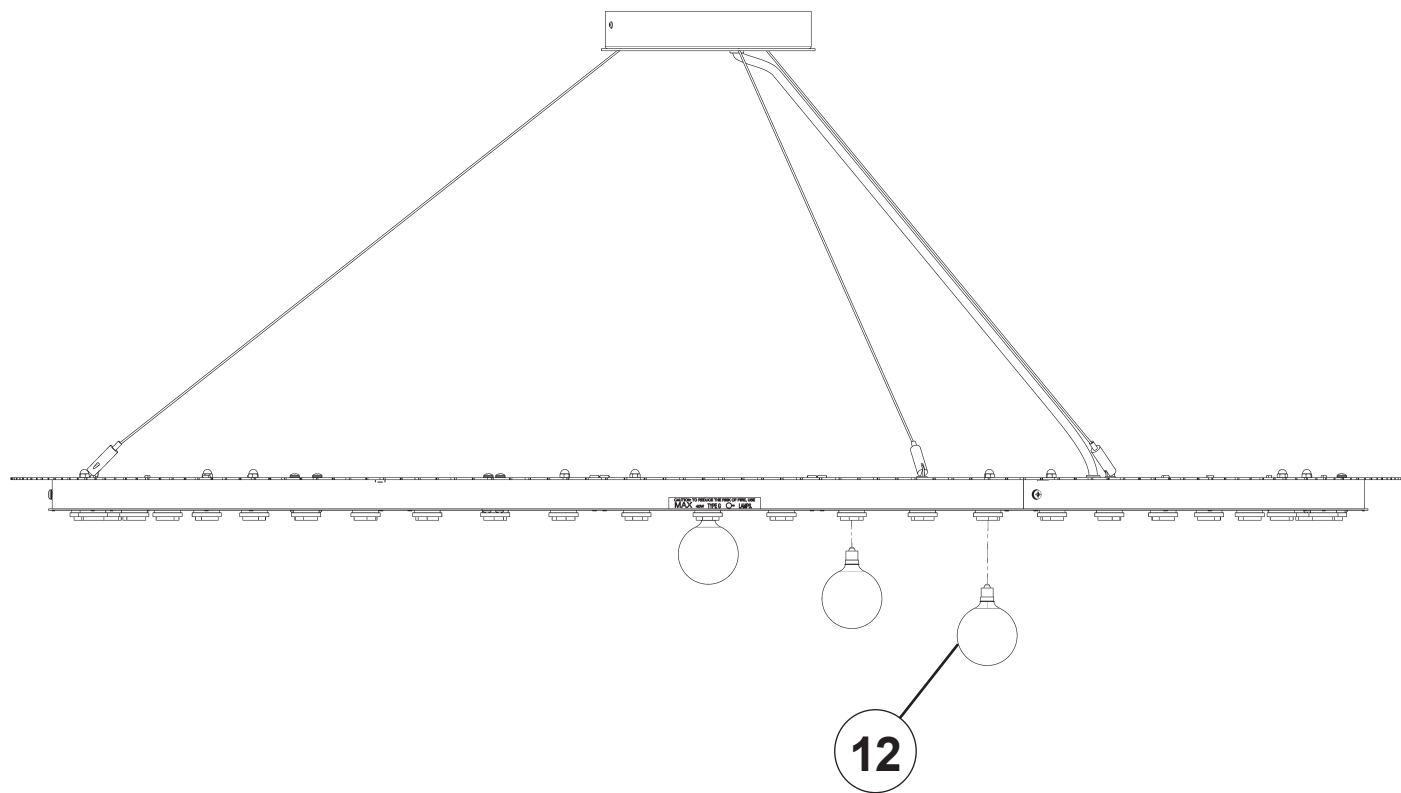
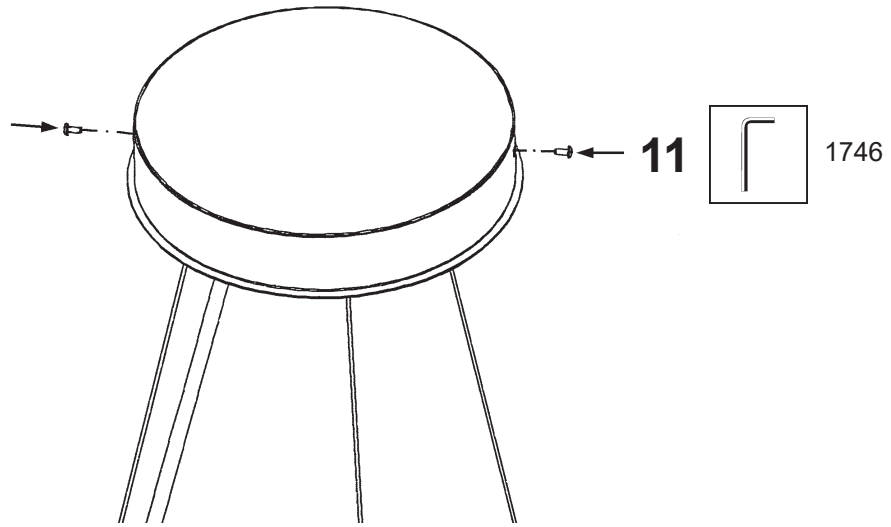


13	A
14	B
15	C
16	D
17	E
18	F



You will need 27 - G16-1/2 Bulbs  
40 Watts Max

Install bulbs and be sure to  
test fixture BEFORE trimming.



1 X  : 1746

