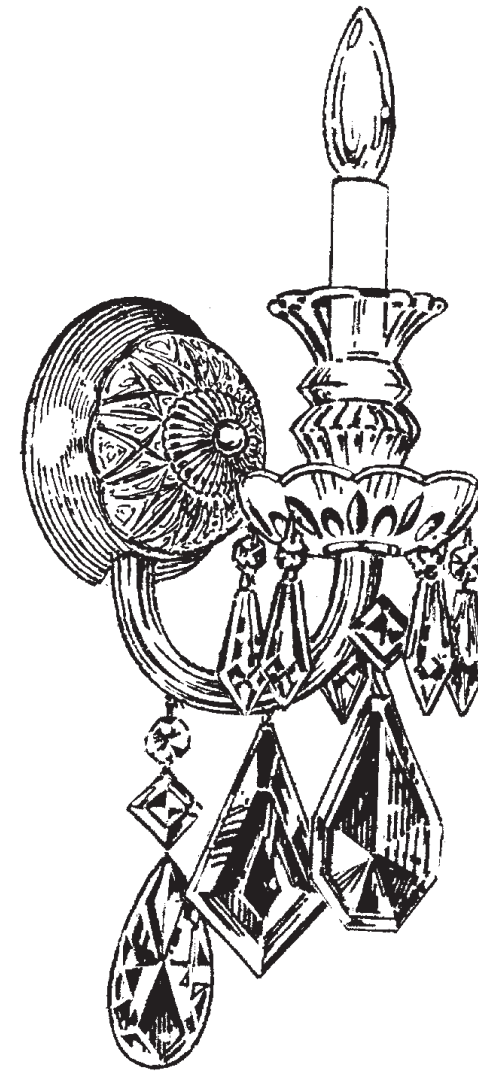




**SCHONBEK®**

# HAMILTON 5701BK



1 Light  
Diameter: 5"  
Body Length: 17"  
Extension: 7-1/2"  
Hanging Weight: 3 lbs.

**T**HIS DESIGN IS THE PROPRIETARY  
TRADE DRESS/TRADEMARK OF  
SWAROVSKI LIGHTING, LTD.

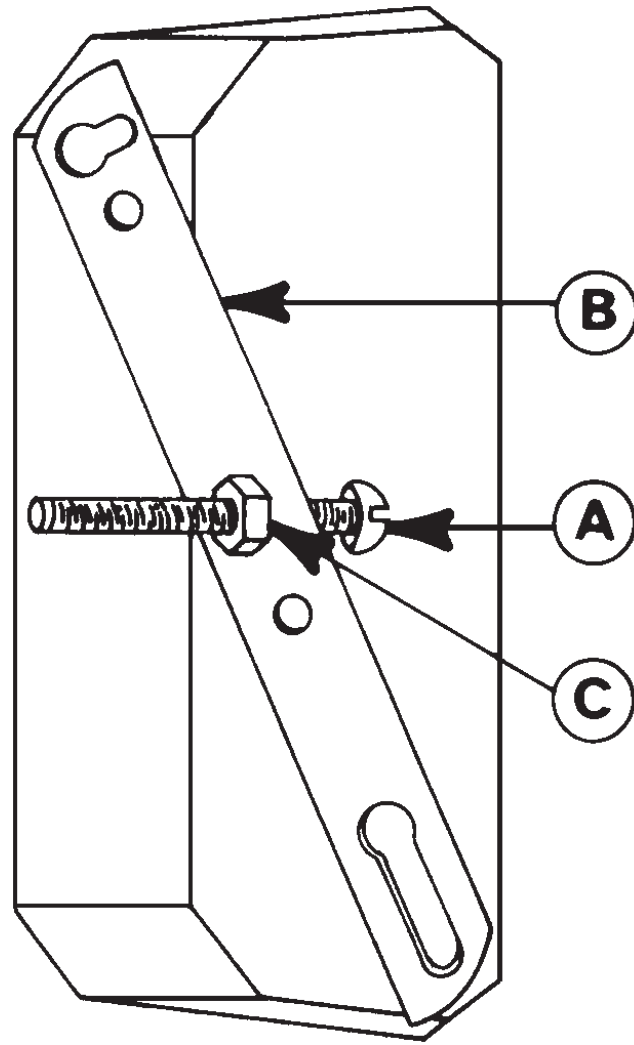


**SCHONBEK®**

MAX <b>60</b> W		110-120 V						

SCHONBEK® is a member of the Swarovski group.

All electrical components must be installed by a licensed electrician in accordance with the National Electric Code and the appropriate local electrical codes.

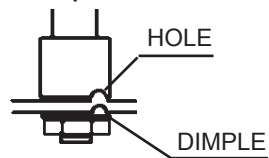


**1 MAKE SURE THAT POWER TO THE OUTLET BOX IS DISCONNECTED!!**

**2** Thread long screw "A" through crossbar "B" and attach crossbar to outlet box using 2 screws round head 8-32 x 1" (not supplied with wall bracket.)

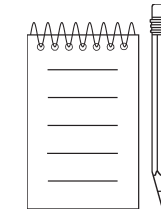
**3** Test fit wall bracket by guiding it over screw "A". Adjust screw "A" so that it extends approximately 1/4" through wall bracket. Remove wall bracket. Thread nut "C" onto screw and tighten it against crossbar. (NOTE: In some installations, due to space, nut "C" might have to go on the other side of the crossbar.)

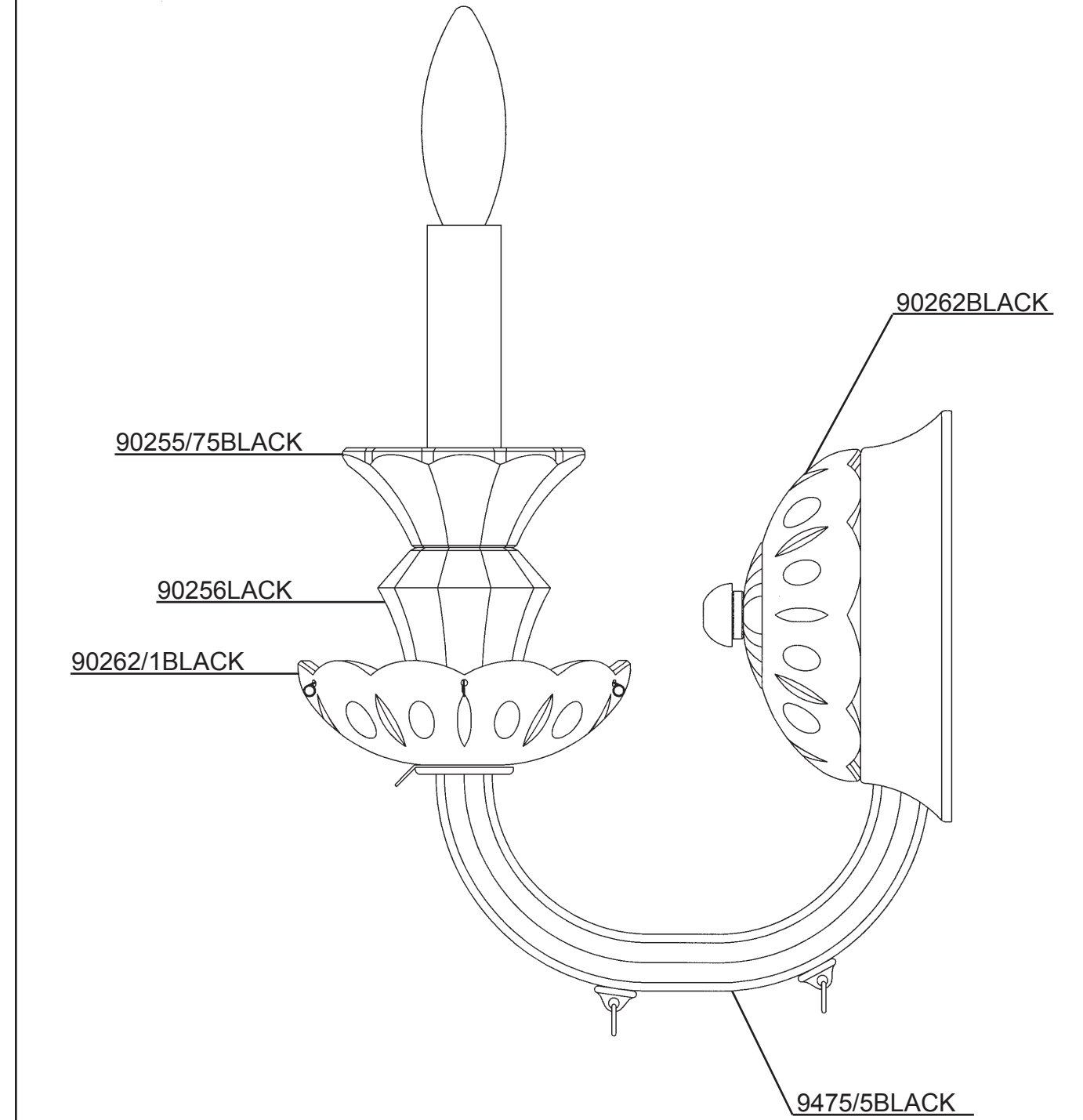
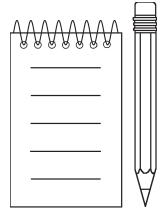
**4** Turn arm to line up hole in arm with dimple in plate. Tighten lock washer and nut to secure arm in place.



**5** Connect the wires of the wall bracket to the power wires of the outlet box, guide wall bracket over screw "A" and secure with threaded half ball supplied. NOTE: Fixture MUST be grounded.

**6** Install bobèche(s) and screw bulb(s) into all socket(s). Test power to insure proper wiring before hanging trim from fixture.







7

You will need 1 - B10  
25 Watts Recommended  
60 Watts Max

**Install bulbs and be sure  
to test fixture BEFORE  
trimming.**

