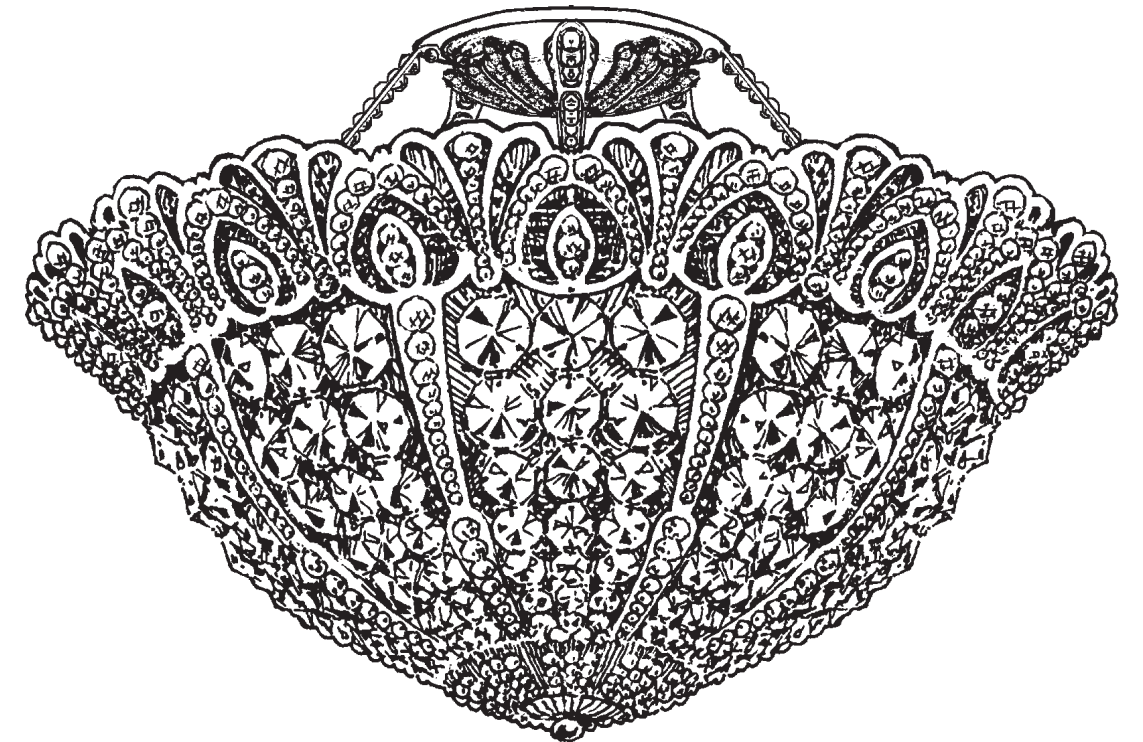


CHANDELIER 9843- ____ TRIM DIAGRAM

(Finish Option)



9 Lights
 Diameter: 20"
 Body Length: 13-1/2"
 Hanging Weight: 9 lbs.

THIS DESIGN IS THE PROPRIETARY TRADE DRESS/TRADE MARK OF SWAROVSKI LIGHTING, LTD.

SCHONBEK®

See diagram on back page
 Follow steps in exact order
 Save this trim diagram for future reference

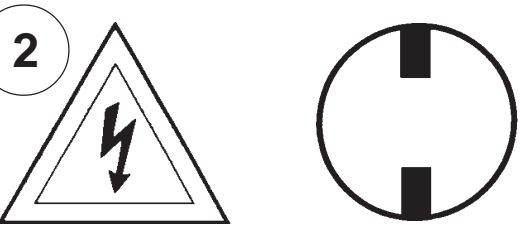
IMPORTANT

1 Person who opens carton should record the following information for future service.

CODE # _____ Four-digit number on outside of carton.
 PACKER # _____ See crystal package label.
 ORDER # _____ See crystal package label.

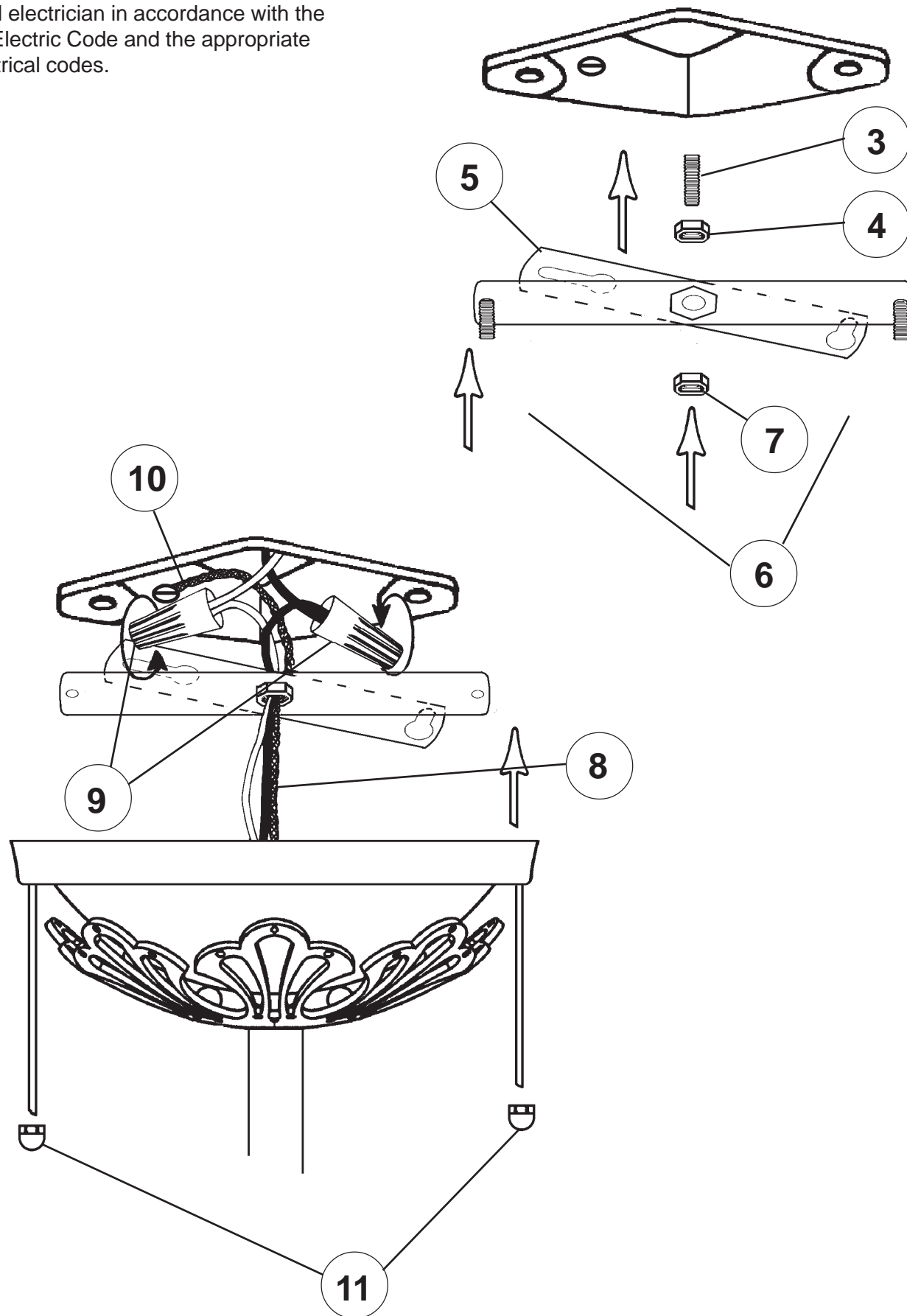
Instructions for electrician STEPS 2 - 11

WARNING:



Electrical Danger Turn Power Off

All electrical components must be installed by a licensed electrician in accordance with the National Electric Code and the appropriate local electrical codes.

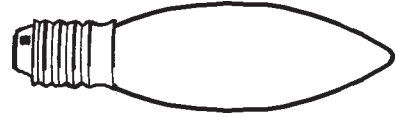


Instructions for crystal trimming

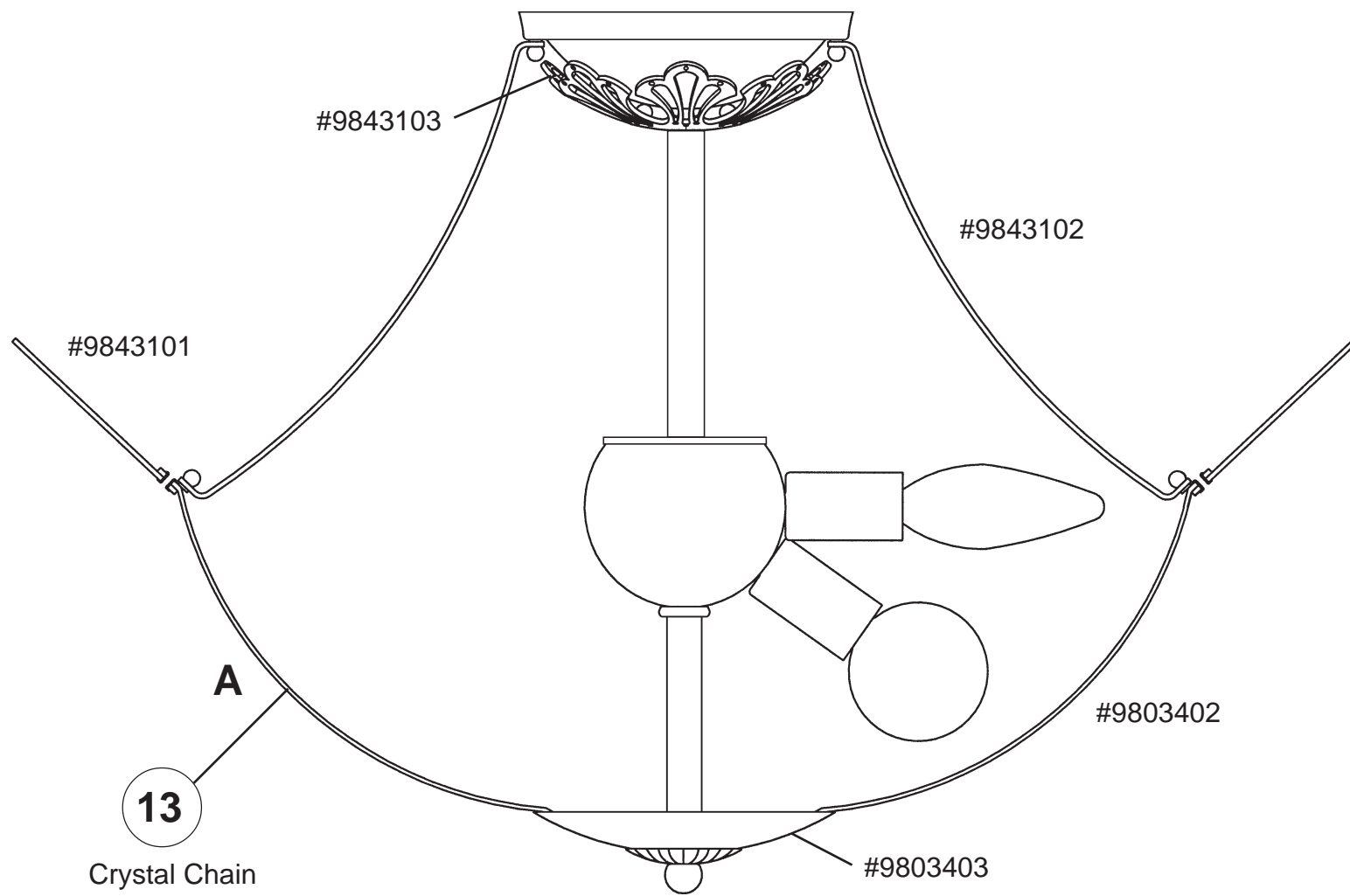
STEPS 12 - 13

12

You will need 3 - G16-1/2
25 Watts Recommended
60 Watts Max



You will need 6 - C10
25 Watts Recommended
60 Watts Max



13

Crystal Chain has a small jewel at bottom.

PART NUMBERS FOR SPARE PARTS

