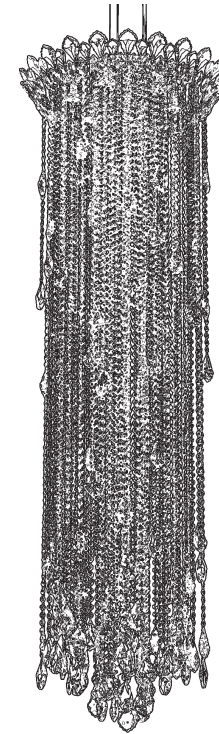




SCHONBEK®

**TRILLIANE STRANDS
TR2413N- __ __ A**



THIS DESIGN IS THE PROPRIETARY TRADE DRESS/TRADE MARK OF SWAROVSKI LIGHTING, LTD.

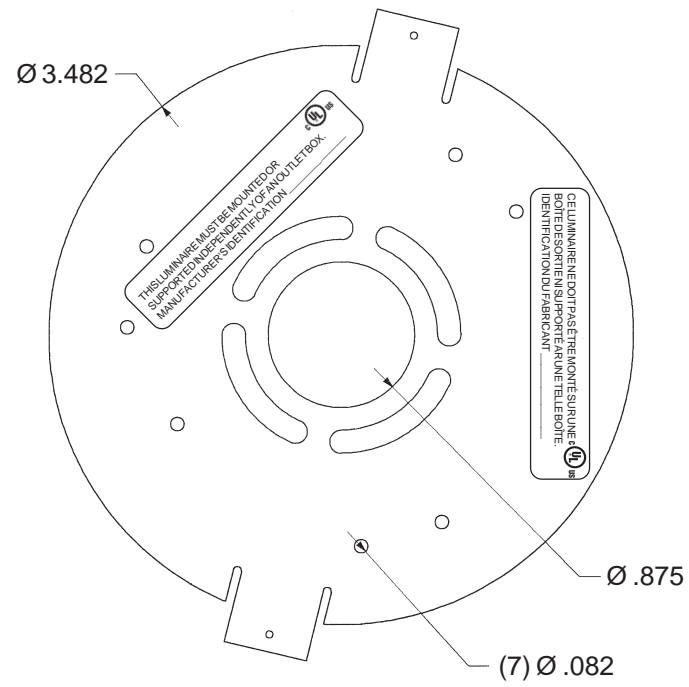
6 Lights
Diameter: 24"
Height: 70-1/2"
Hanging Weight: 57lbs.



SCHONBEK®

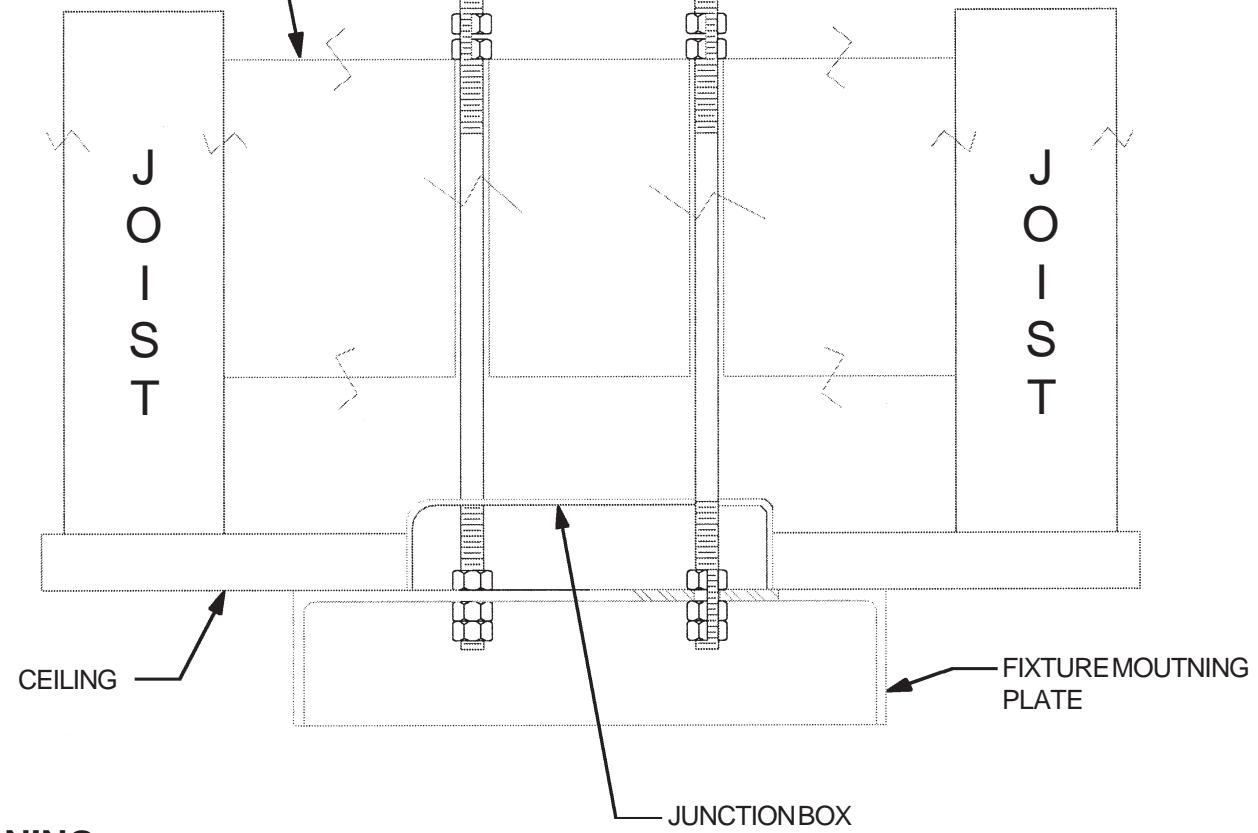
MAX <u>50</u> W	110-120 V						

NOTE: INSTALLER IS SOLELY RESPONSIBLE FOR PROPER MOUNTING!

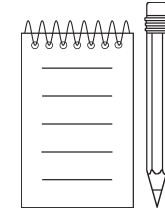


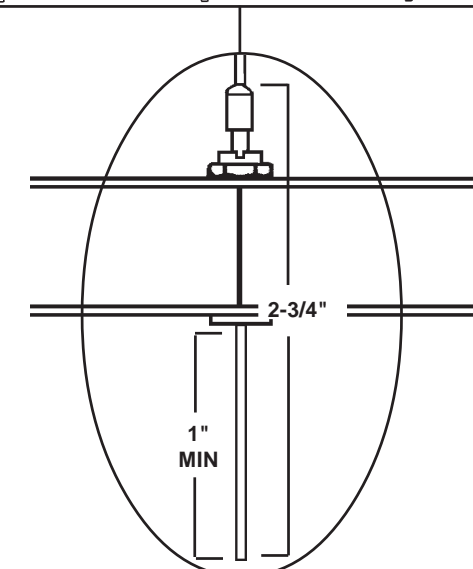
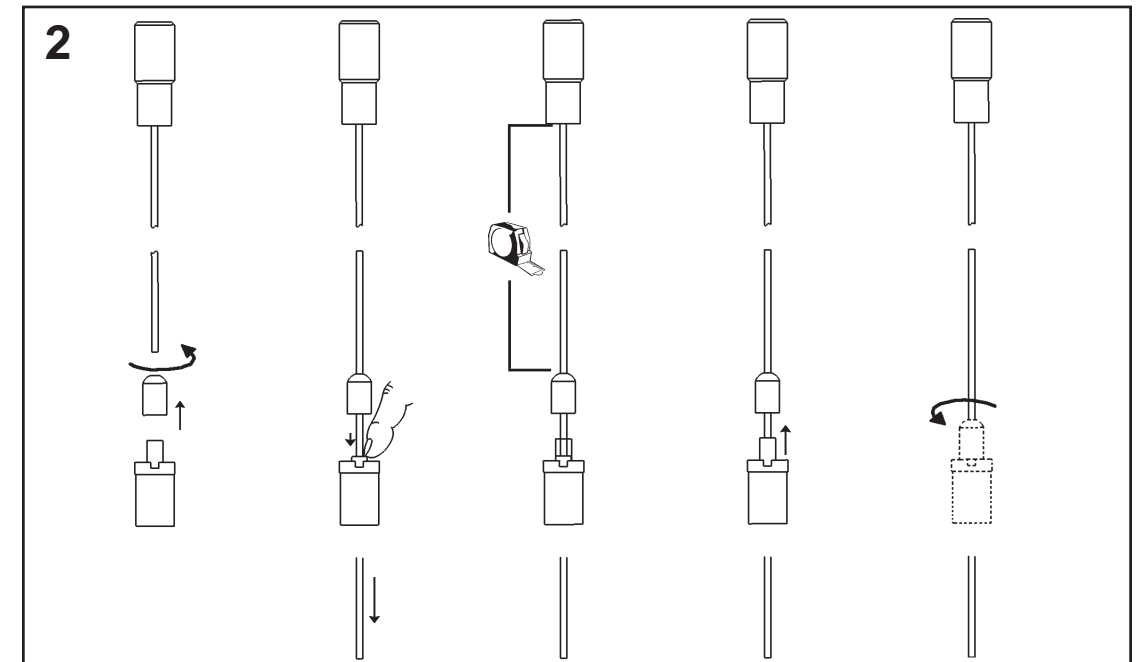
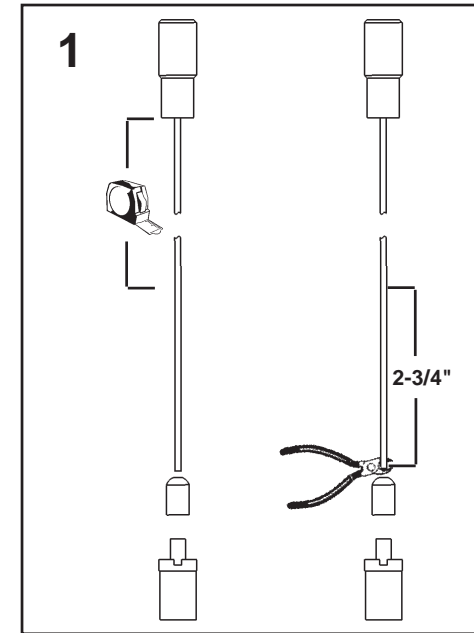
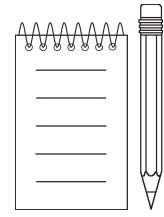
CROSS MEMBERS
SECURELY FASTEN TO
JOIST OR SIMILAR
STRUCTURE MEMBER

Ø 1/4-20 THREADED ROD

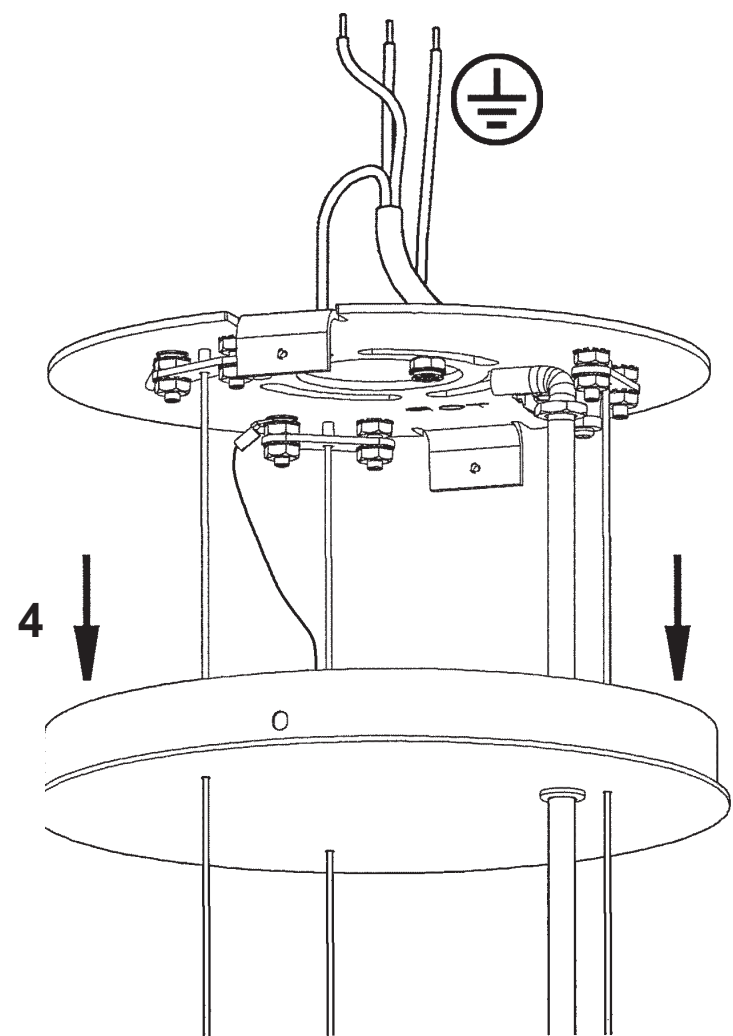
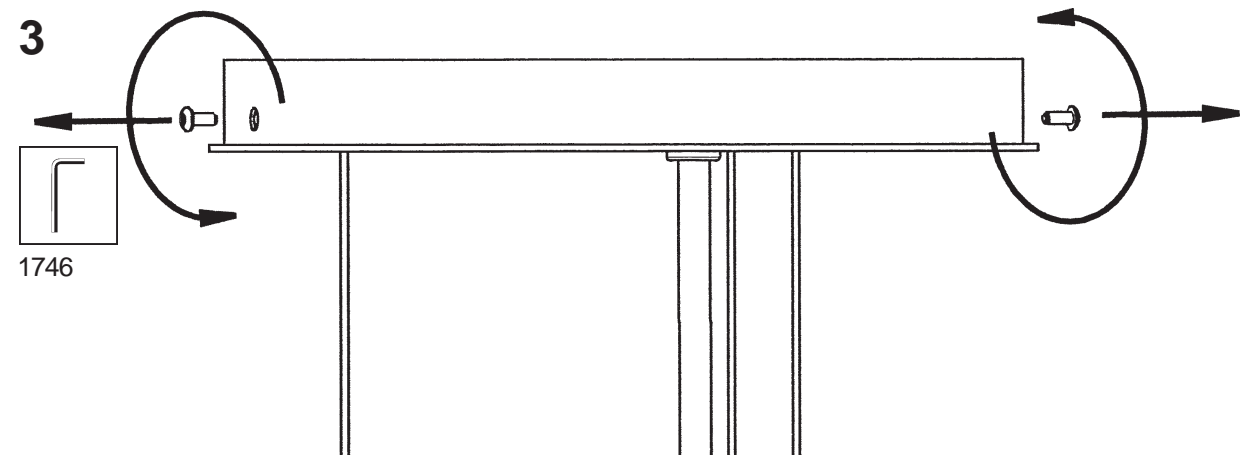


WARNING:
MOUNTING CONFIGURATION AND HARDWARE MUST HOLD 4X THE WEIGHT OF THE FIXTURE. MOUNTING DESIGN AND FIXTURE INSTALLATION SHOULD BE CONDUCTED BY A QUALIFIED LICENSED PROFESSIONAL.

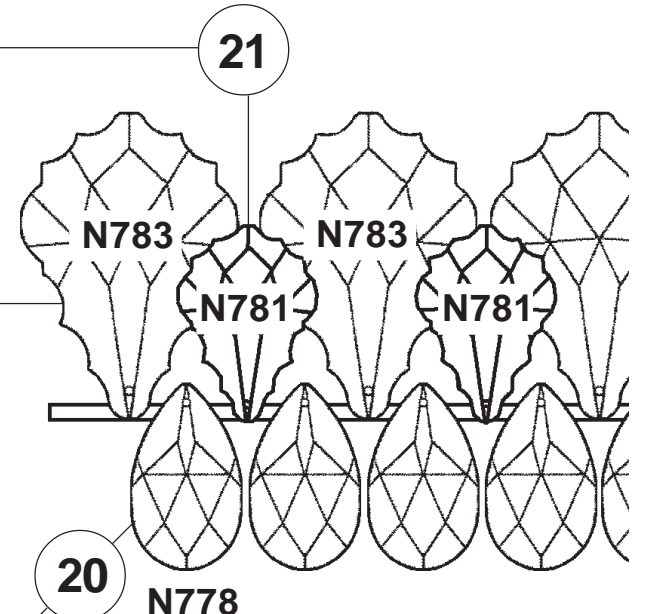
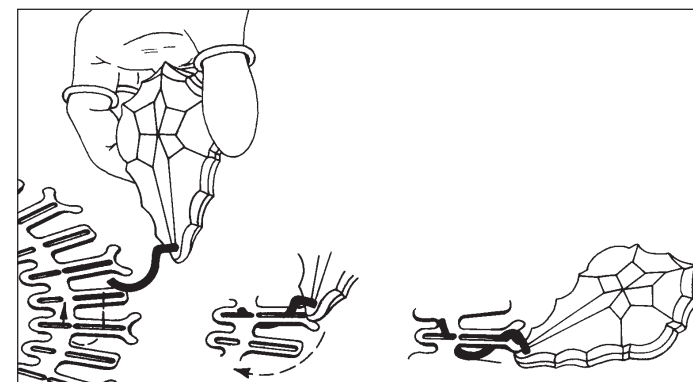
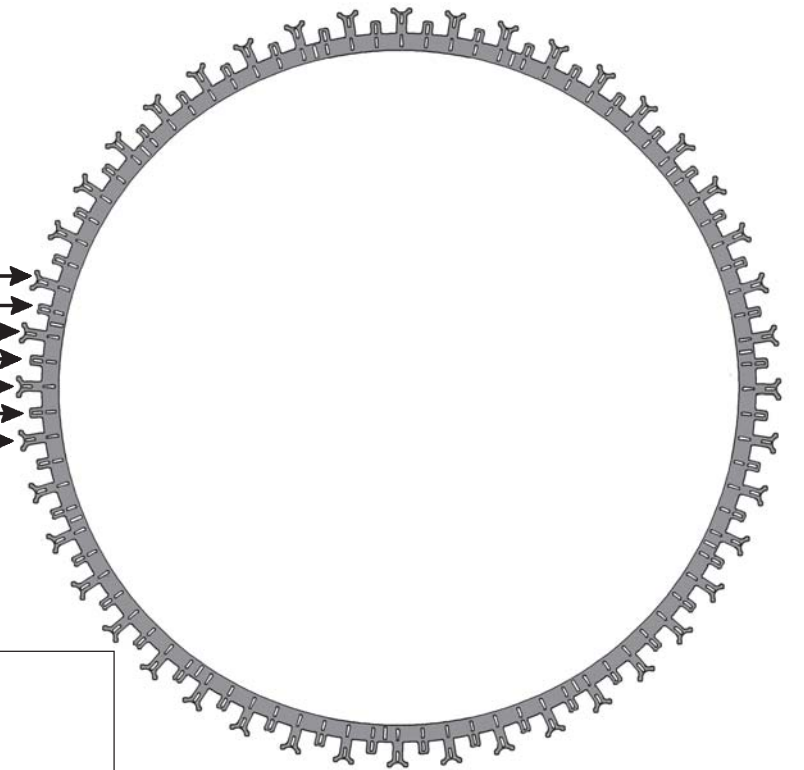


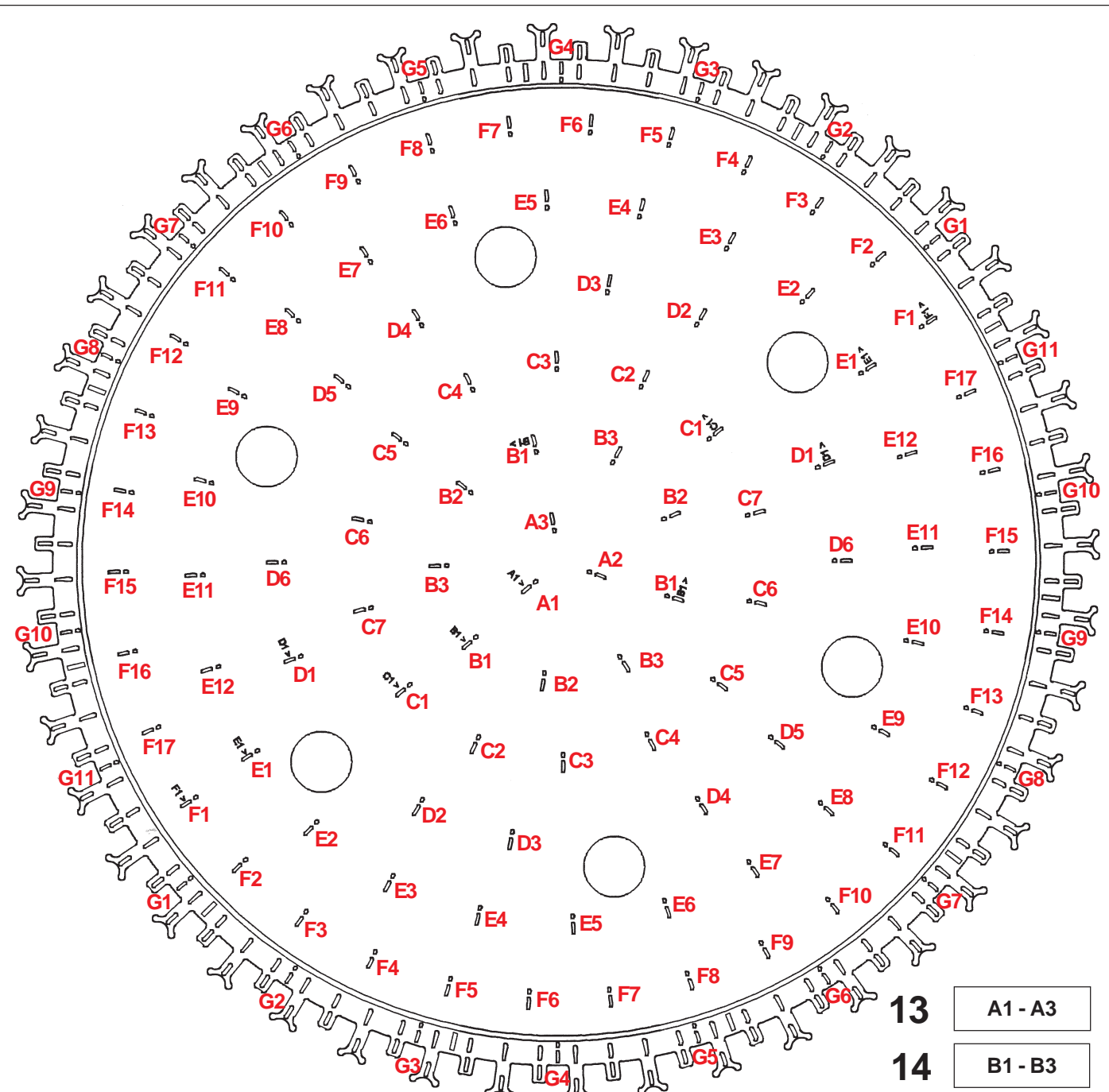


1X  : 1746

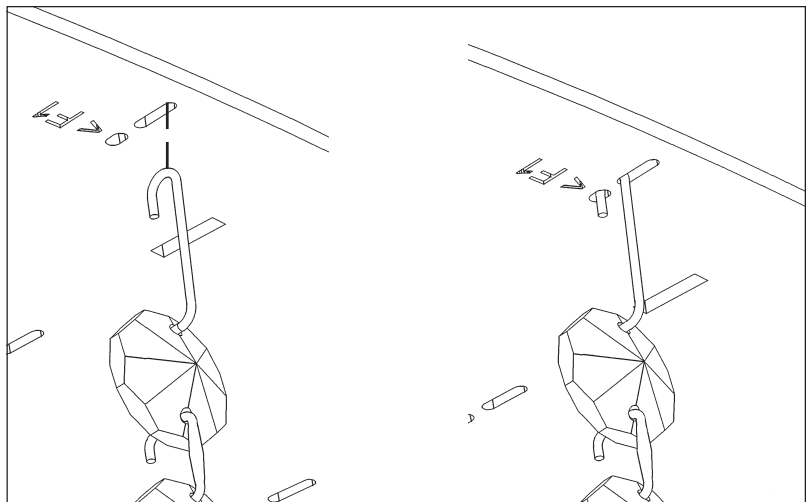


N783 →
N778 →
N781 →
N778 →
N783 →
N778 →
N781 →





- 13** A1 - A3
- 14** B1 - B3
- 15** C1 - C7
- 16** D1 - D6
- 17** E1 - E12
- 18** F1 - F17
- 19** G1 - G11



After hanging all trim, remove labels from crystals. If residue remains, wipe off crystal with a soft, dry cloth.

