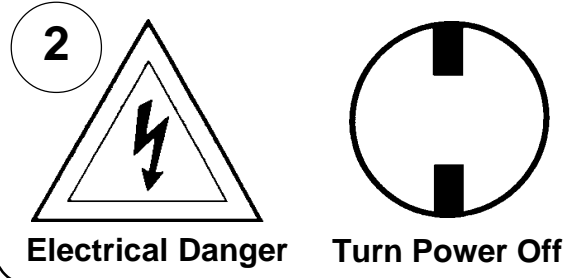


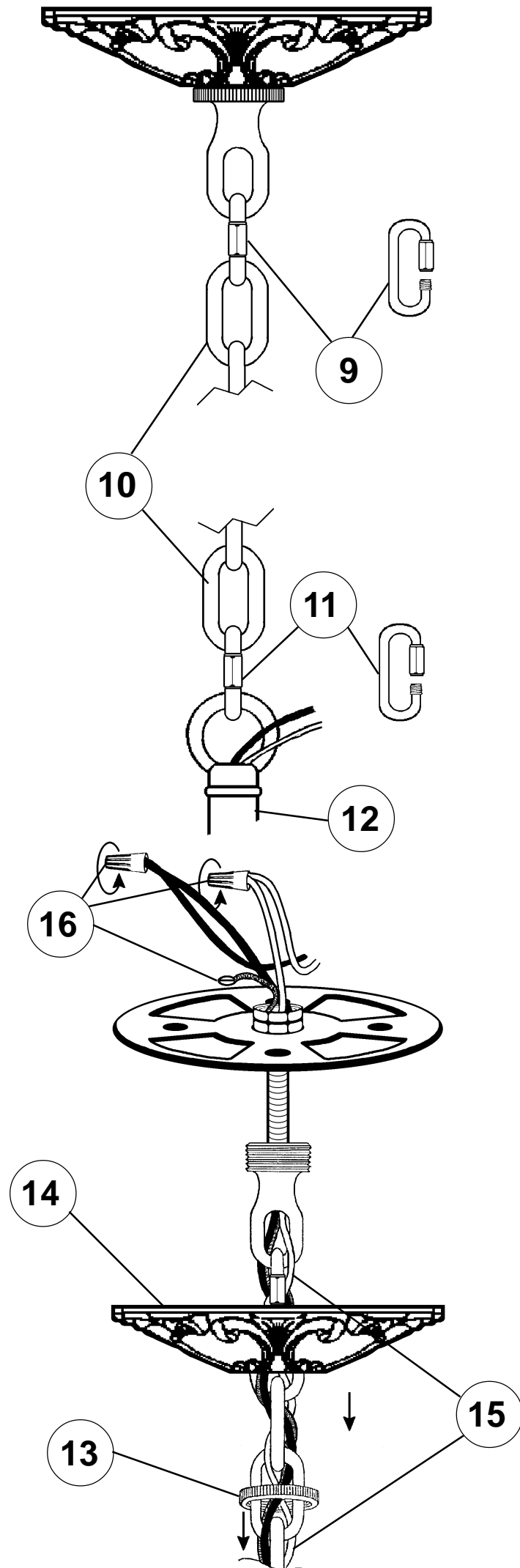
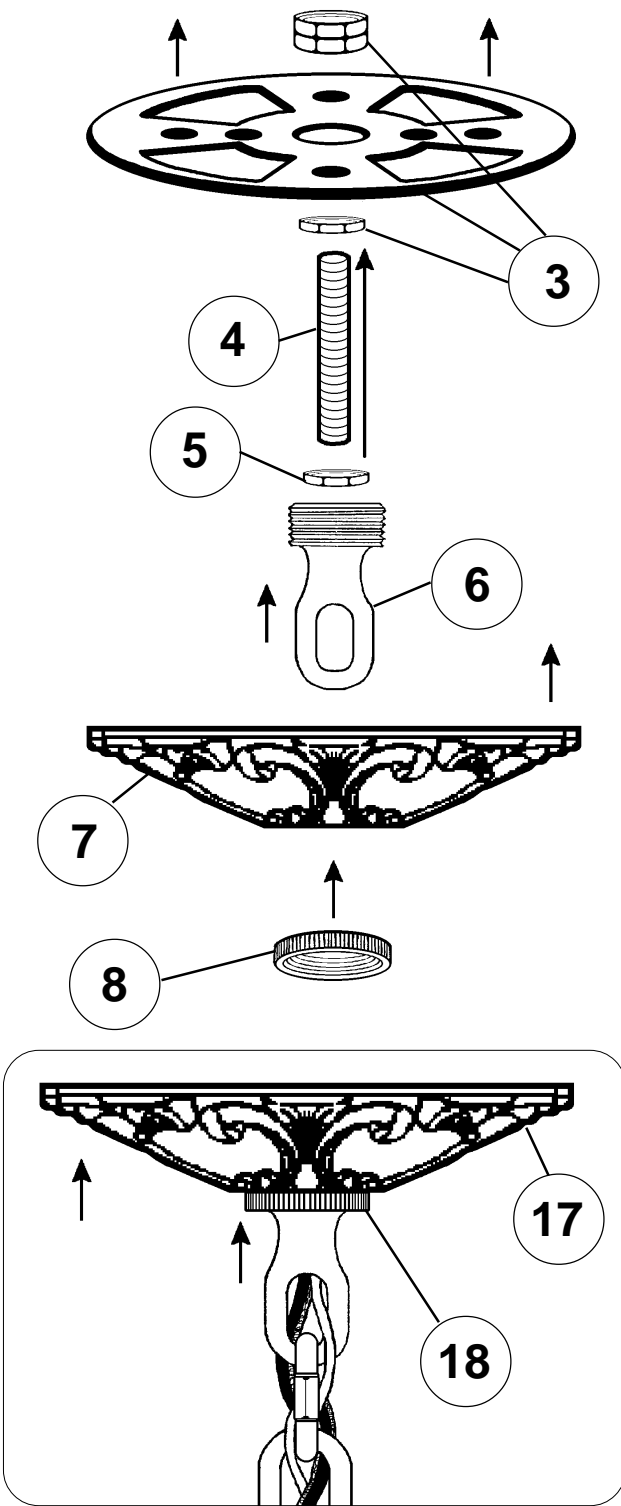
**Instructions for electrician**  
**STEPS 2 - 18**

**WARNING:** THIS LUMINAIRE MUST BE MOUNTED OR SUPPORTED INDEPENDENTLY OF AN OUTLET BOX.

**WARNING:**



All electrical components must be installed by a licensed electrician in accordance with the National Electric Code and the appropriate local electrical codes.



**CHANDELIER 5008- \_\_\_\_ TRIM DIAGRAM**

(Finish Option)



**T**HIS DESIGN IS THE PROPRIETARY TRADE DRESS/TRADEMARK OF SCHONBEK WORLDWIDE LIGHTING INC.

10 Lights  
Diameter: 28"  
Body Length: 38"  
Hanging Weight: 50 lbs.

**SCHONBEK®**

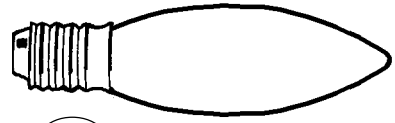
**See diagram on back page  
Follow steps in exact order  
Save this trim diagram for future reference**

**IMPORTANT**  
**1** Person who opens carton should record the following information for future service.  
CODE # \_\_\_\_\_ Four-digit number on outside of carton.  
PACKER # \_\_\_\_\_ See crystal package label.  
ORDER # \_\_\_\_\_ See crystal package label.

SCHONBEK IS A WORLD LEADER IN CHANDELIER DESIGN. PATENTS INCLUDE: #D5,460,269 & #D5,873,652

Instructions for crystal trimming

STEPS 19 - 34



19

You will need 10 - C10  
25 Watts Recommended  
60 Watts Max

Install bulbs and be  
sure to test fixture  
BEFORE trimming.

