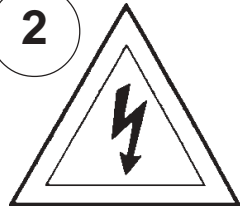


Instructions for electrician

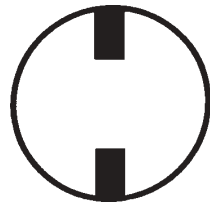
STEPS 2 - 6

WARNING:

2



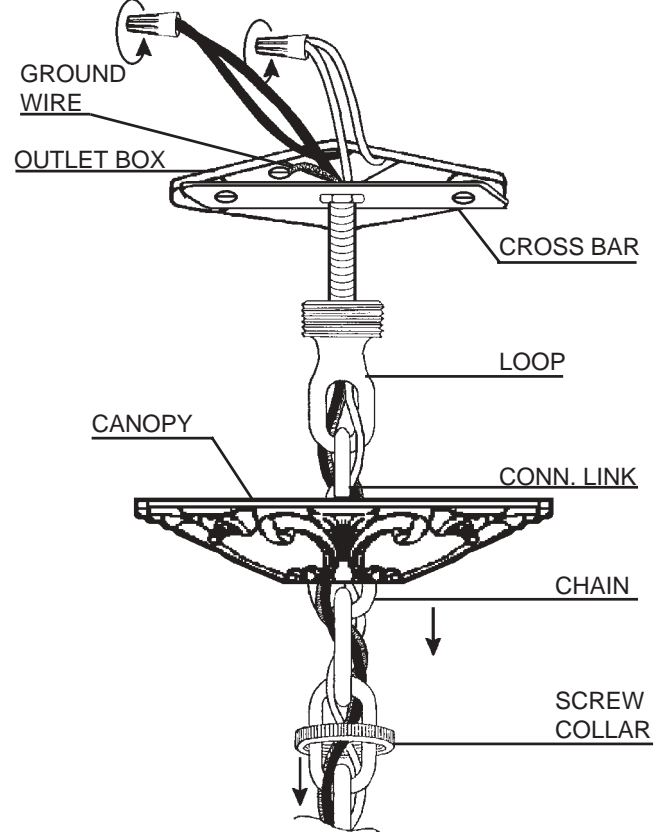
Electrical Danger



Turn Power Off

All electrical components must be installed by a licensed electrician in accordance with the National Electric Code and the appropriate local electrical codes.

PENDANT VERSION



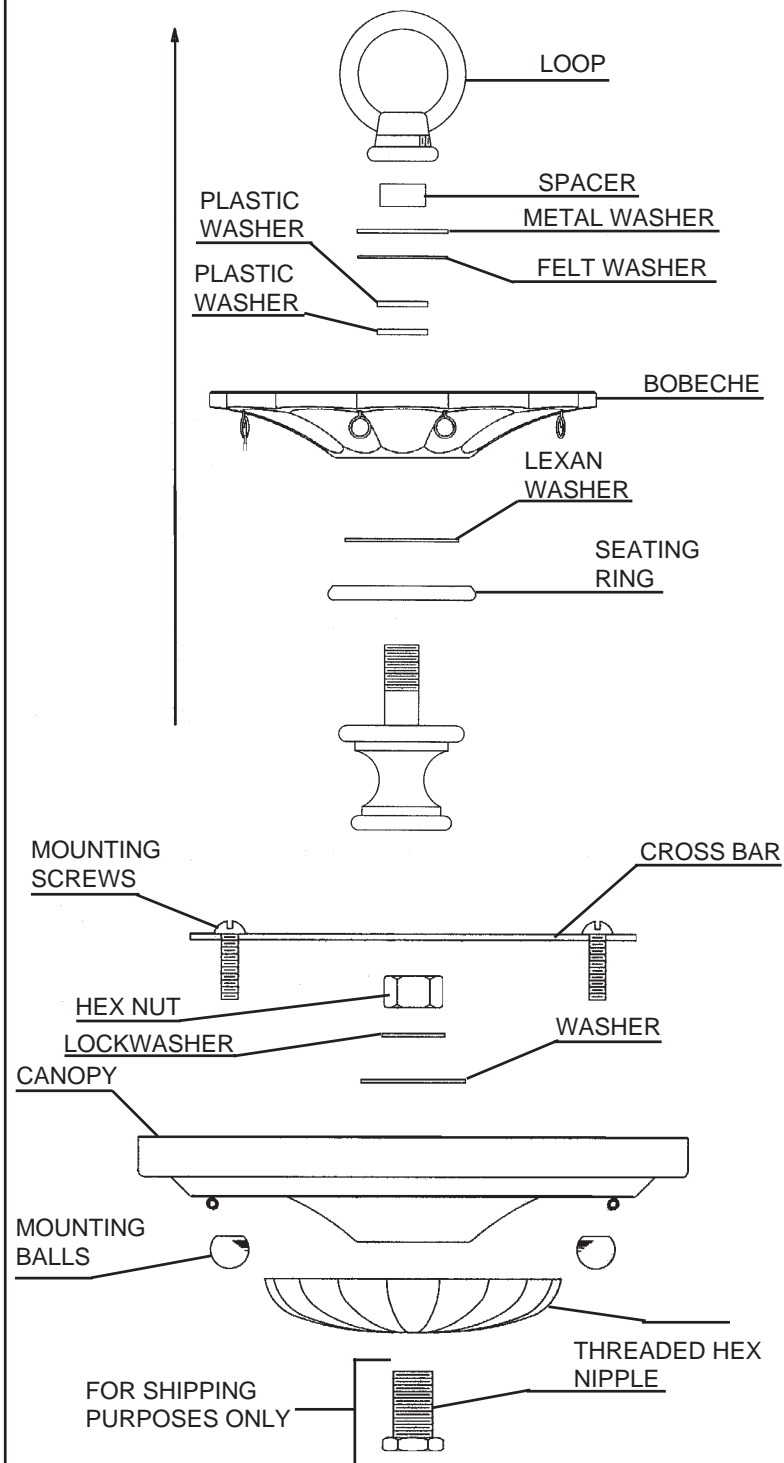
3 Attach crossbar to outlet box.

4 Slip screw collar and metal canopy over chain. Determine the suspension length of the fixture and cut chain, if necessary. Use two connecting links to attach chain to chandelier loop and ceiling loop.

5 Insert stem wire through chain and ceiling loop. Connect wire. Fixture MUST be grounded. Check distance from ceiling to loop to assure canopy assembly will be flush against ceiling and tighten with lock nut. Attach canopy to ceiling with screw collar.

6 Screw bulb into socket. Test power to insure proper wiring before hanging trim from fixture.

CLOSE TO CEILING VERSION



3 Remove set screw with tool provided. Remove all component parts from loop to seating ring. Remove threaded hex nipple and nut from assembled canopy. Run wires up through cover, canopy and component parts and tighten hex nut.

4 Attach cross bar to outlet box. Connect wires. Fixture must be grounded.

5 Attach canopy to ceiling with mounting balls, thereby retaining complete fixture against ceiling.

6 Screw bulb into socket. Test power to insure proper wiring before hanging trim from fixture.

CHANDELIER 5345- ___ ___ A TRIM DIAGRAM

(Finish Option)

THIS DESIGN IS THE PROPRIETARY TRADE DRESS/TRADE MARK OF SCHONBEK WORLDWIDE LIGHTING INC.



5 Lights
Diameter: 18"
Body Length: 20-1/2"
Hanging Weight: 11 lbs.

5 Lights
Diameter: 18"
Body Length: 19-1/2"
Hanging Weight: 11 lbs.

SCHONBEK®

See diagram on back page
Follow steps in exact order
Save this trim diagram for future reference

1

IMPORTANT

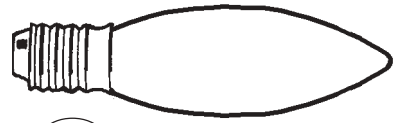
Person who opens carton should record the following information for future service.

CODE # _____ Four-digit number on outside of carton.
PACKER # _____ See crystal package label.
ORDER # _____ See crystal package label.

SCHONBEK IS A WORLD LEADER IN CHANDELIER DESIGN. PATENTS INCLUDE:

#D292,620, #D335,362, #D335,546, #D335,716, #D335,720, #D336,537, #D338,082, #D389,264, #D338,278, #D339,879, #D345,815, #D373,441, #D374,102, #D374,103, #D374,498, #D382,077, #D393,325, #D397,495, #D397,494, #D403,101, #D435,686, #D454,973, #D454,974, #D455,224, #D456,940, #D463,602S, #D463,603S, #D464,769S, #D468,480, #2,651,806, #5,104,082, #5,109,325, #5,116,009, #5,144,541, #5,205,644, #5,222,805, #5,241,460, #5,255,173, #5,258,900, #5,285,364, #5,404,285, #5,460,269, #5,567,046, #5,567,468, #5,573,330, #5,577,838, #5,588,744, #5,873,652, #5,906,430, #5,921,668 & #6,241,370B1

Instructions for crystal trimming
STEPS 7 - 15



7

You will need 5 - C10
 25 Watts Recommended
 40 Watts Max

Install bulbs and be sure to
 test fixture **BEFORE** trim-
 ming.

