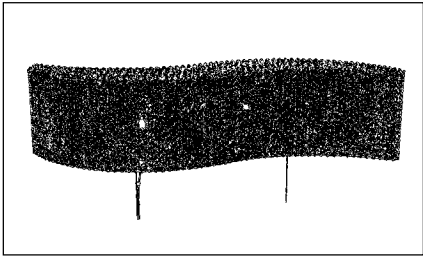
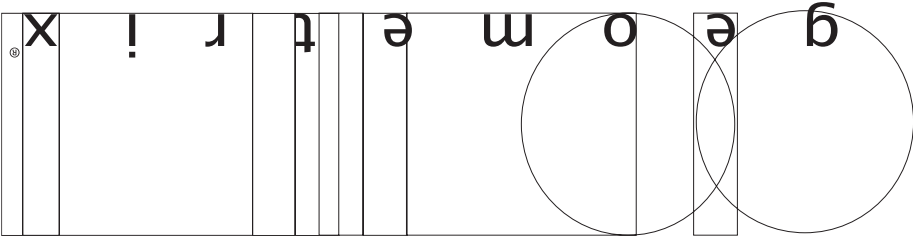


Important: Label on back contains important information on your crystal option. Please save in case you ever need to order matching crystal.



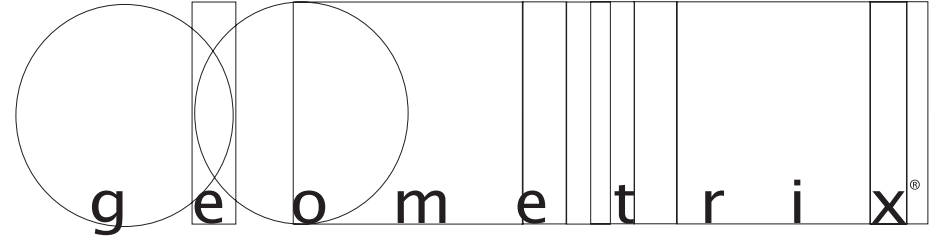
Trim Diagram
Refrax™ Pendant RE4821-**



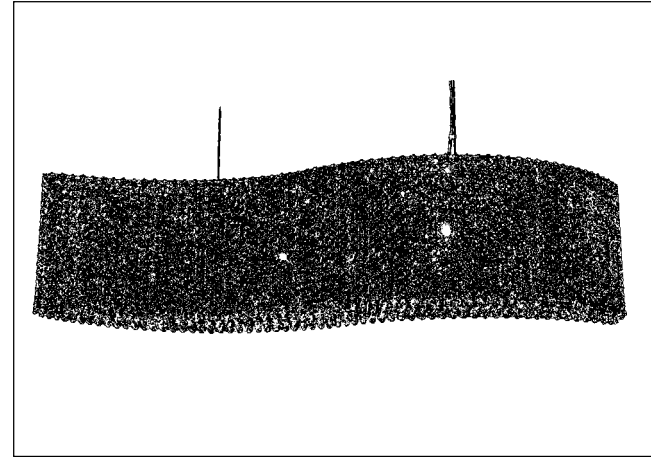
Schonbek Worldwide Lighting Inc., 61 Industrial Blvd., Plattsburgh NY 12901-1908
Tel: 800.836.1892 or 518.563.7500 www.schonbek.com

© 2009 SCHONBEK WORLDWIDE LIGHTING INC., A. SCHONBEK & CO. LTD. WORLDWIDE COPYRIGHT RESERVED

US PATENT 5,109,325



Trim Diagram
Refrax™ Pendant RE4821-**



21 Lights
Length: 48", Width: 21", Height: 12-1/2"

Geometrix™ is designed by Schonbek with Strass® crystal by Swarovski.

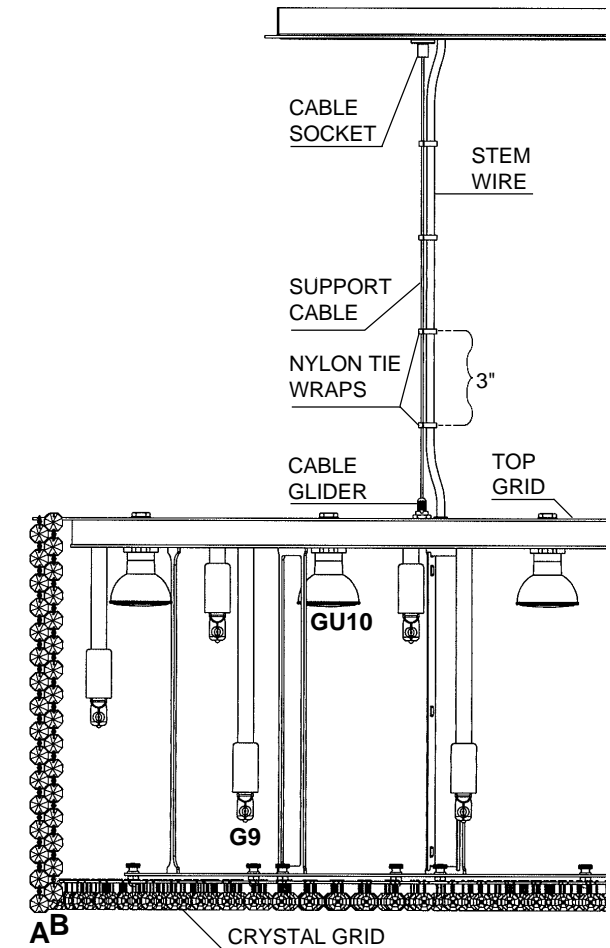
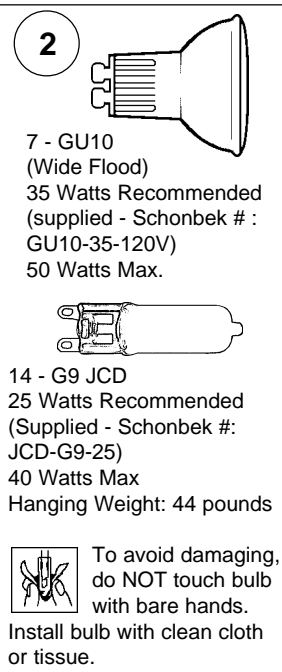
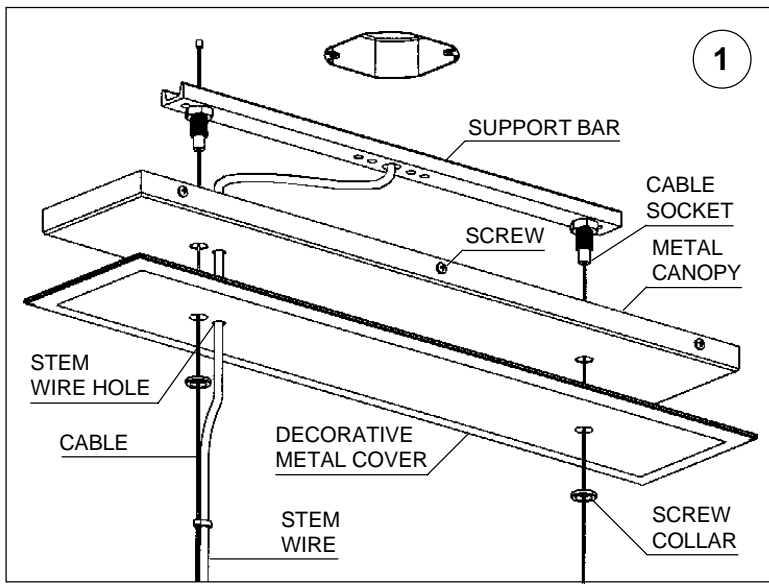


This design is the proprietary trade dress/trademark of Schonbek Worldwide Lighting Inc

Please save your trim diagram for future reference.

IMPORTANT: Label on back contains important information on your crystal color. Please save in case you ever need to order matching crystal.





How to Install GU10 & G9 Bulbs and Refrax™ Chandelier:

1 Remove screw collars, decorative metal cover and metal canopy from the canopy assembly. Feed cables through cable sockets. Attach support bar to supporting member in ceiling sufficient to support weight of fixture. Feed cables and stemwires through metal canopy, decorative metal cover and stemwire before attaching cables to frame. Loosen the safety nut on the cable glider by turning counter clockwise. Slide cable into glider and allow it to play out of the bottom of the frame temporarily. To adjust height loosen the safety nut and depress it until the cable is released to move the frame up and down the cable. Feed stem wire through stem wire hole in decorative metal cover, metal canopy (the smaller hole) and middle hole in the support bar. When chandelier is at desired height, trim stem wire and connect ground wire (marked with green tracer) and power wires (black or white tracers) in outlet box. Raise metal canopy and decorative metal cover to ceiling and secure to running thread with the screw collar. Supplied in a plastic bag are nylon tie wraps. Adjust along stem wire and tie to support cable approximately 3" apart. Cut suspension cable with cable cutters leaving about 3/8" protruding from the bottom of the frame.

2 Use G9 JCD bulbs in the small sockets. Plug bulbs carefully but completely into sockets. Use only GU10 base bulb in the larger sockets. Align the legs, insert and turn clockwise carefully but completely. Only use bulbs marked "suitable for open luminaires" OR bearing this symbol:

3 Install two bottom crystal grids with sixteen thumb nuts (already screwed onto grid) to bottom of the chandelier.

4 Hang Chain A first, following the Crystal Map. Insert metal connector into the hole in the top grid and let chain hang freely.

5 Insert end of pin into hole in top grid. Lay pin down into the notch so that the end of the pin with the "U" is on the outside of the top grid. Slip Chain B over the pin and let hang freely.

