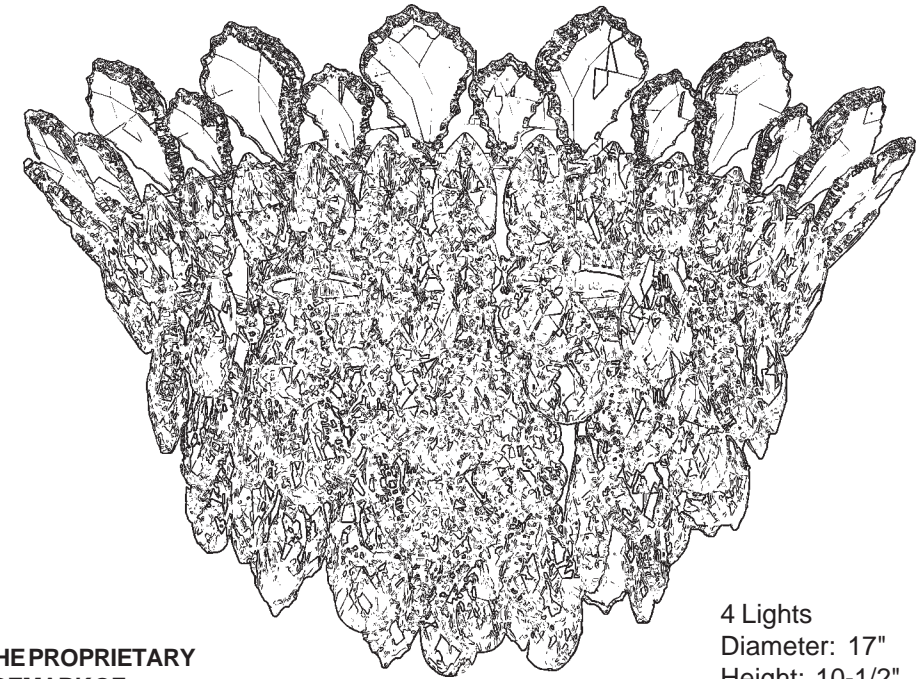




**SCHONBEK®**

**TRILLIANE STRANDS  
TR1201N- \_\_ \_\_ A**



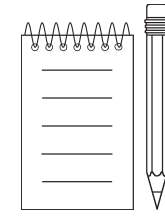
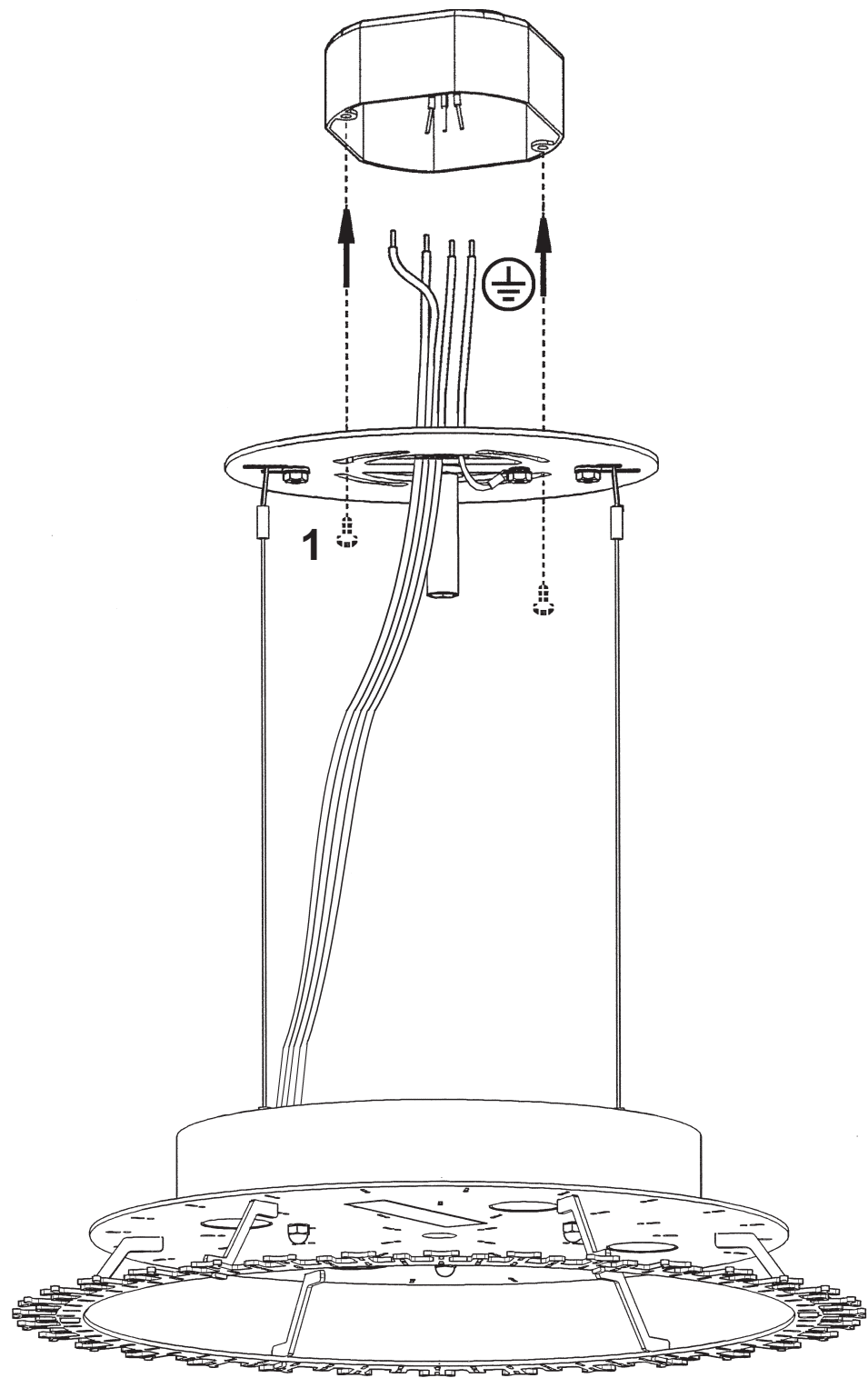
**T**HIS DESIGN IS THE PROPRIETARY  
TRADE DRESS/TRADE MARK OF  
SWAROVSKI LIGHTING, LTD.

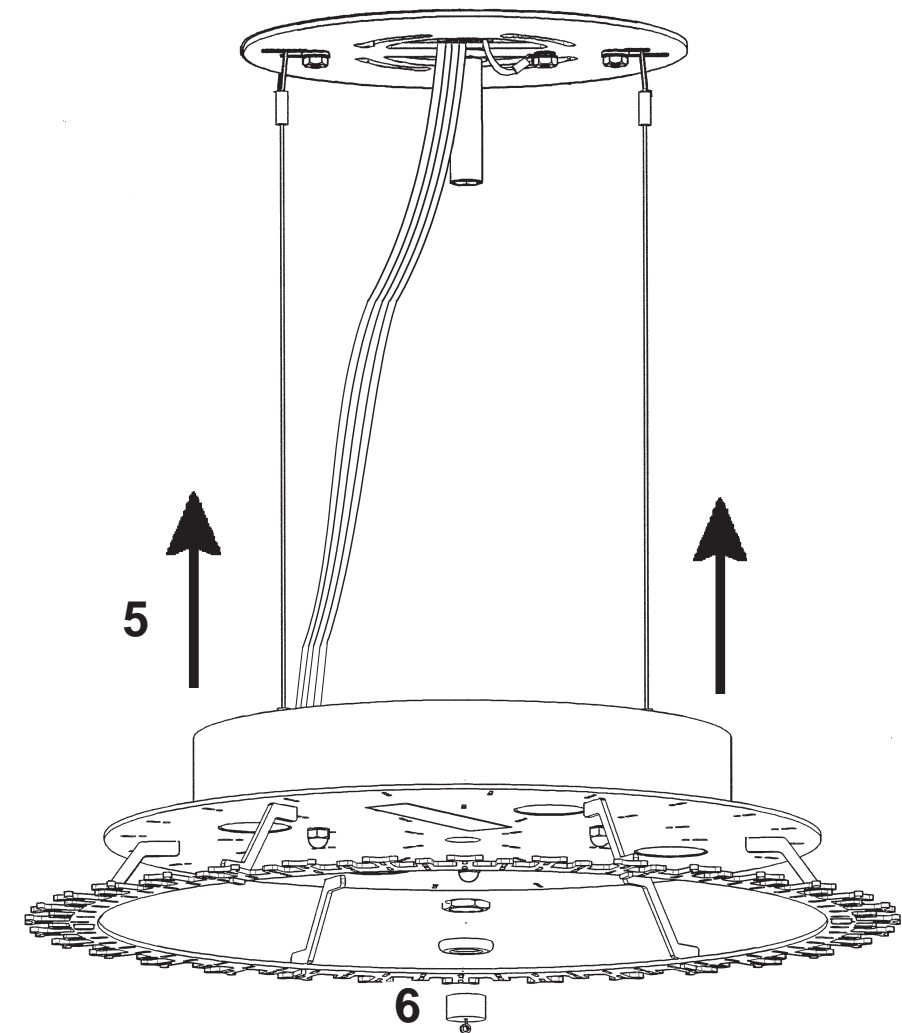
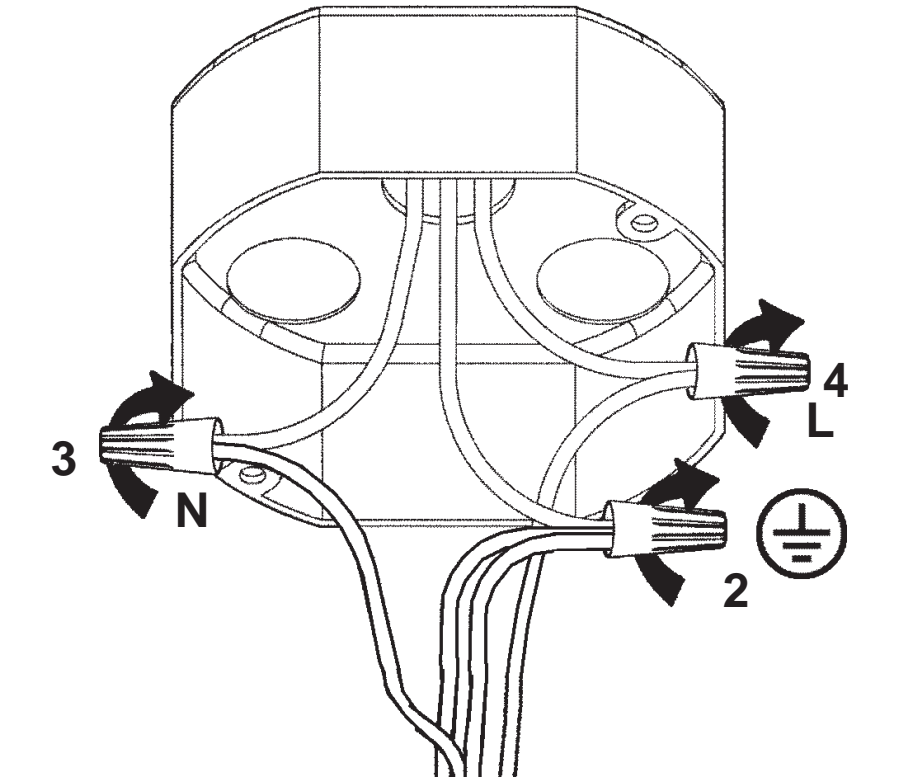
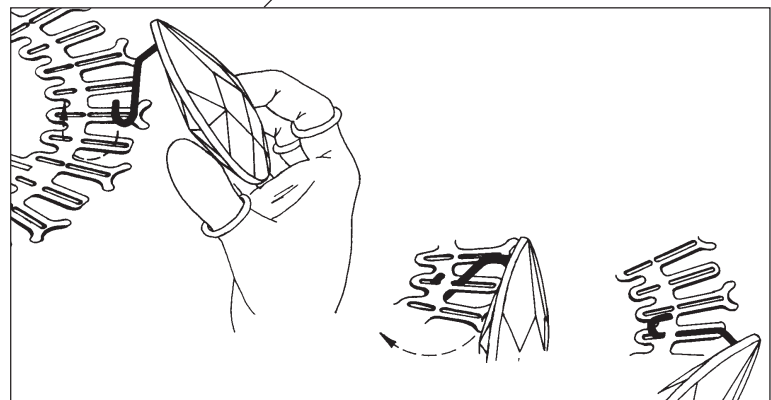
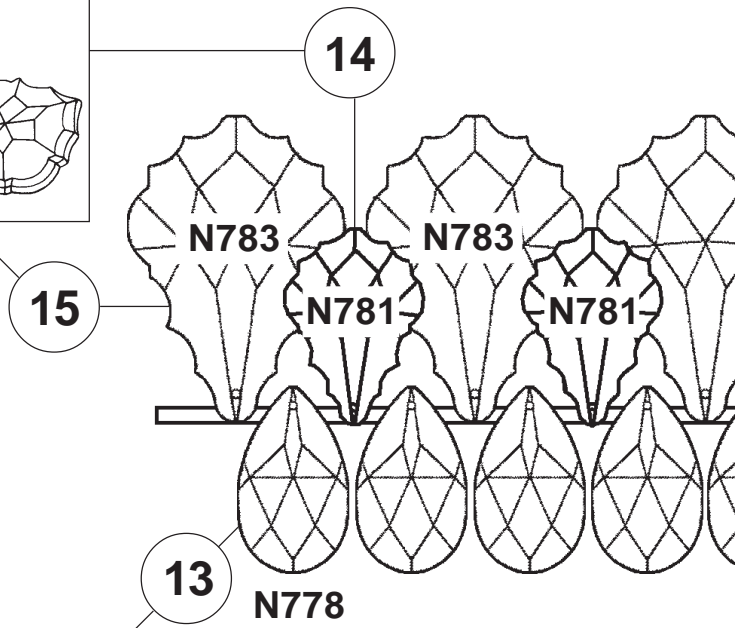
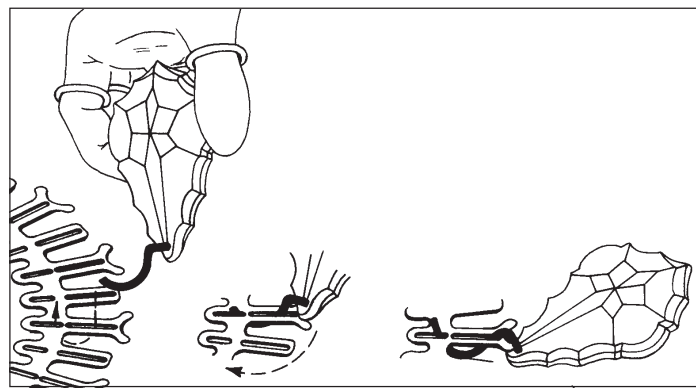
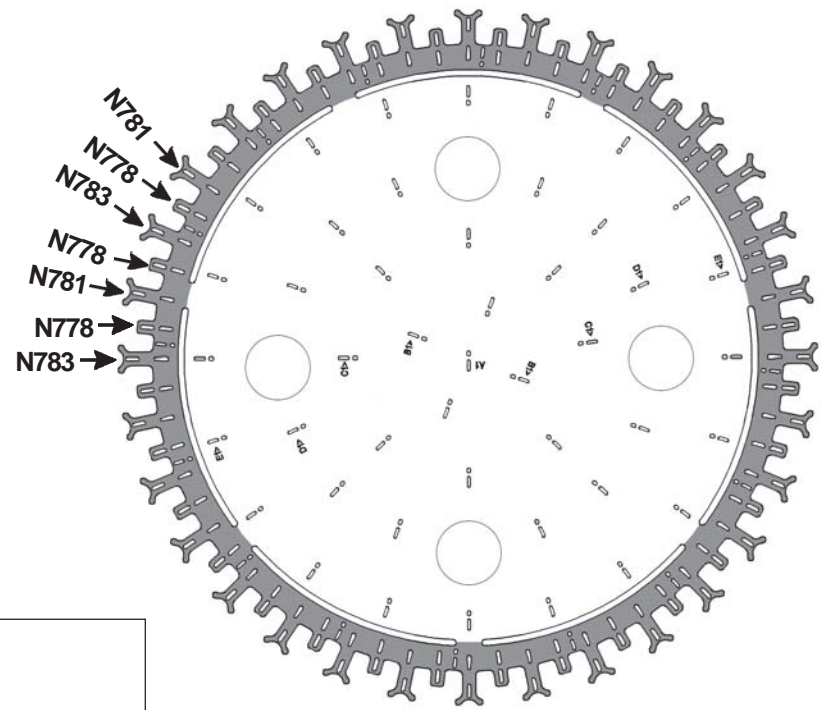
4 Lights  
Diameter: 17"  
Height: 10-1/2"  
Hanging Weight: 16lbs.

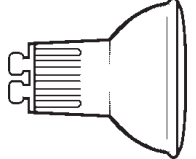



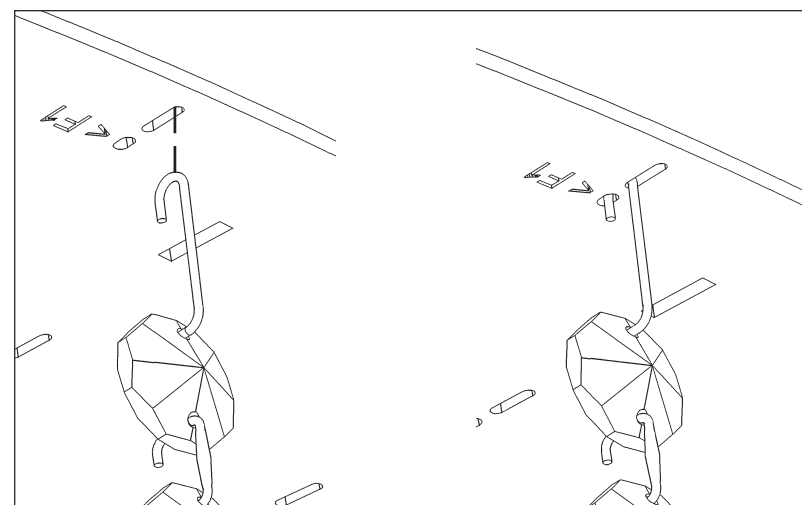
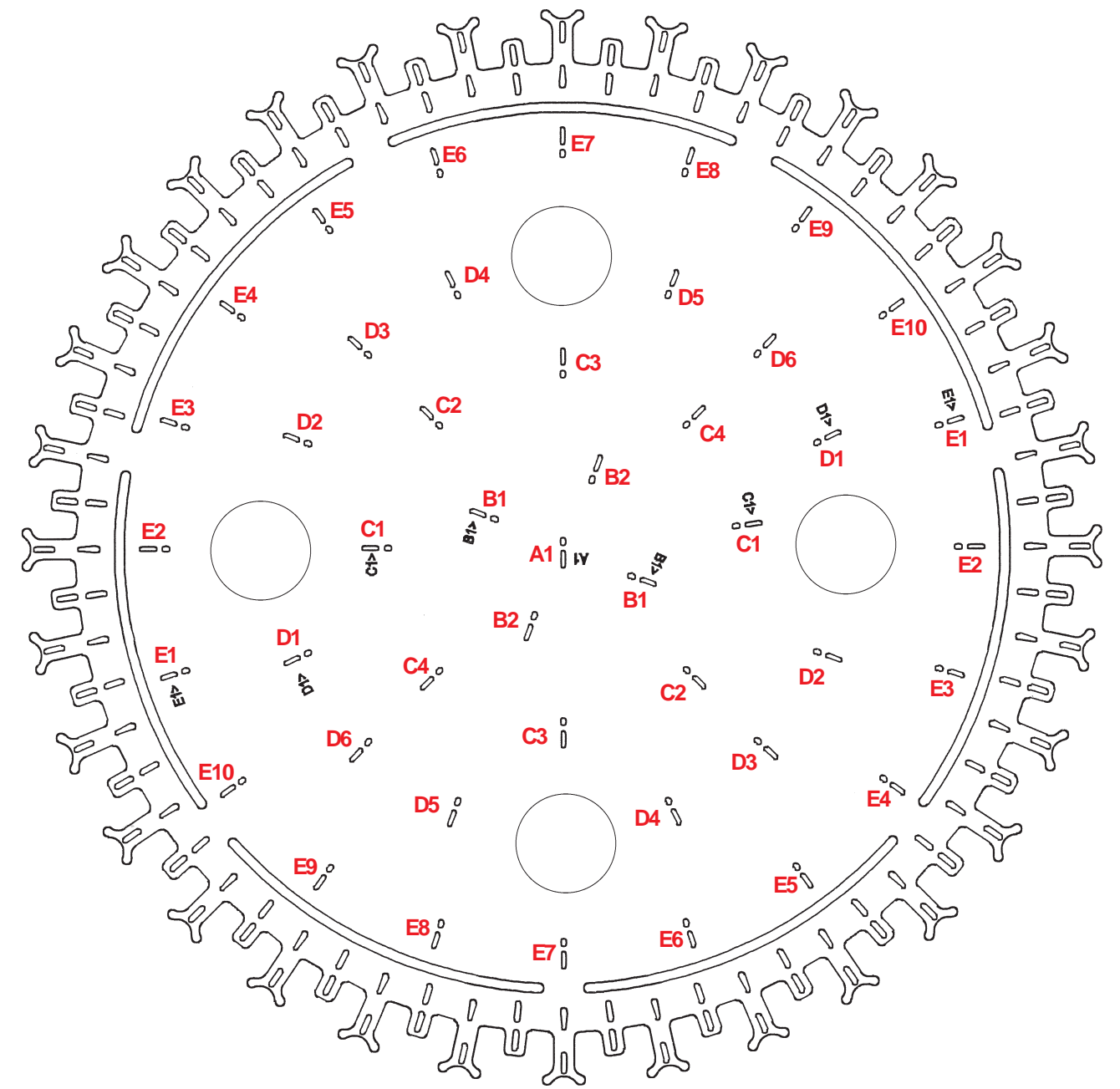
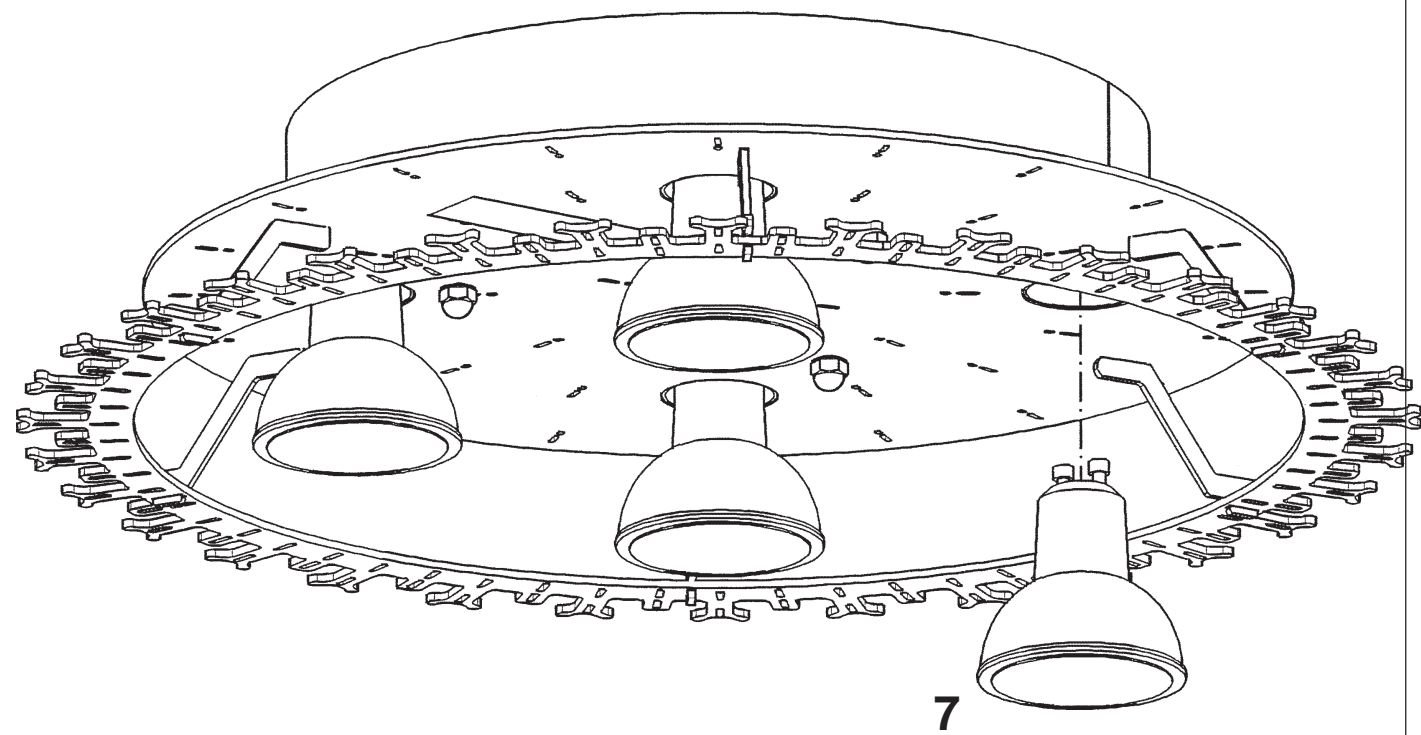
**SCHONBEK®**

MAX 35 W		110-120 V						





4 X  : GU10 35W MAX 



- 8** A1
- 9** B1 - B2
- 10** C1 - C4
- 11** D1 - D6
- 12** E1 - E10

After hanging all trim, remove labels from crystals. If residue remains, wipe off crystal with a soft, dry cloth.