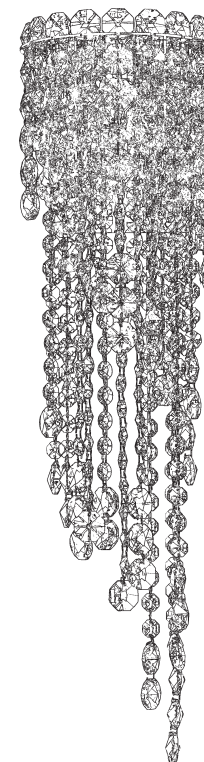




**SCHONBEK®**

**CHANTANT**  
**CH0833N- \_\_ \_\_A**



**T**HIS DESIGN IS THE PROPRIETARY  
TRADE DRESS/TRADE MARK OF  
SWAROVSKI LIGHTING, LTD.

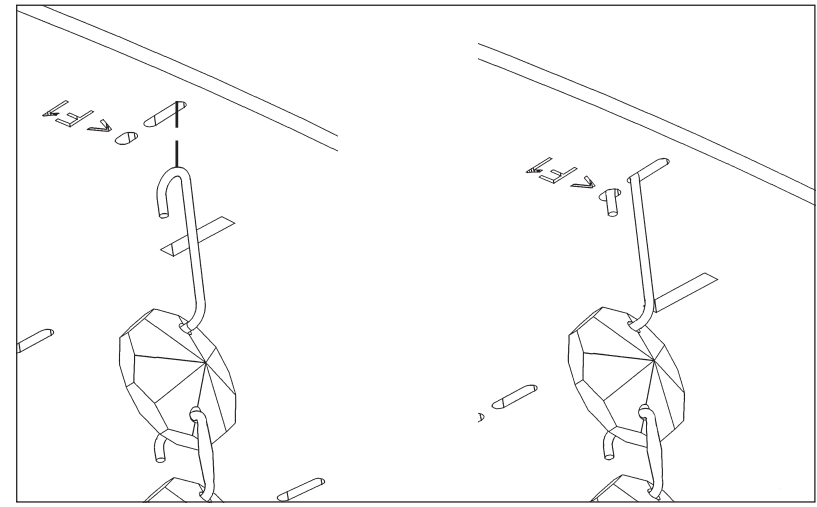
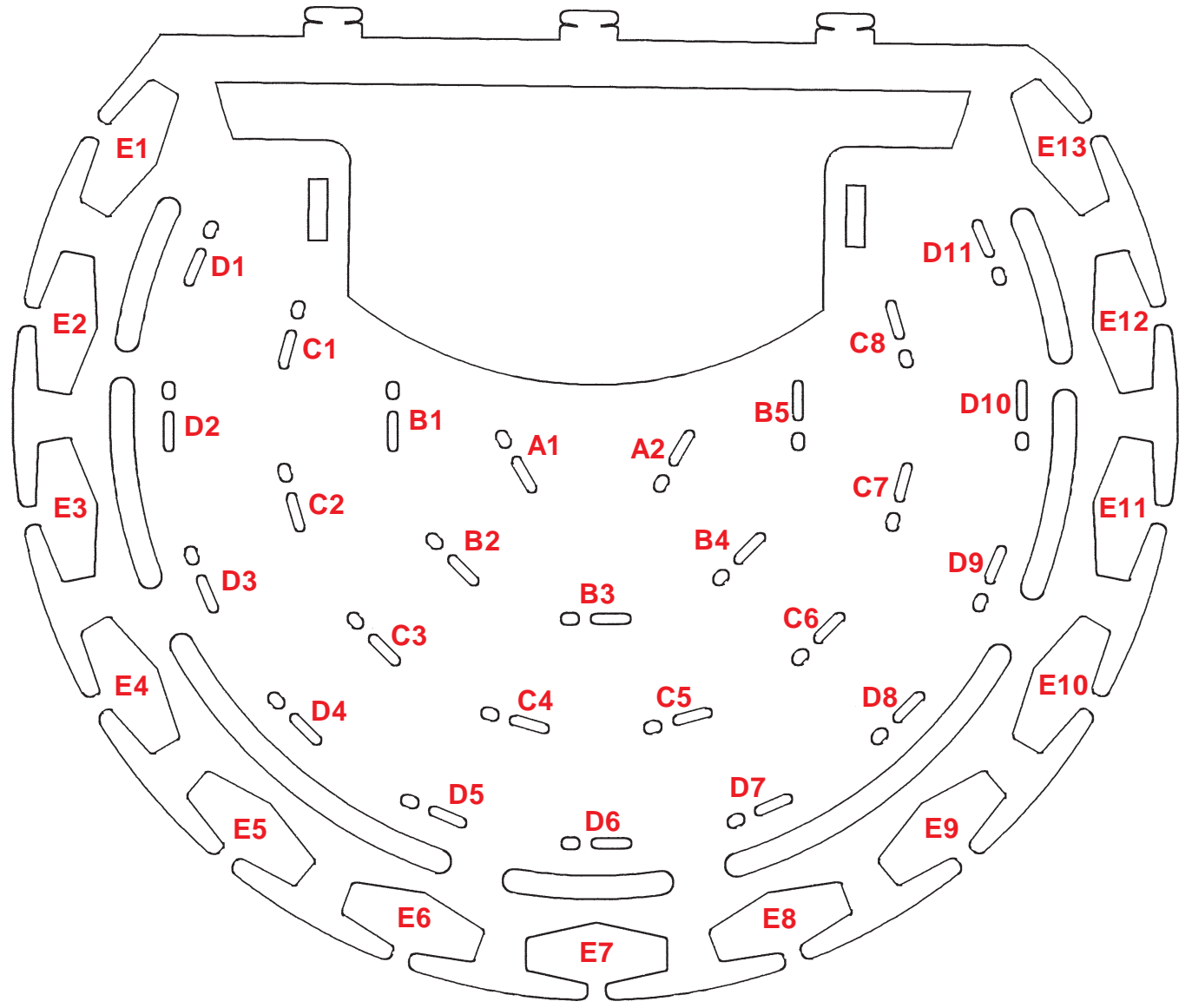
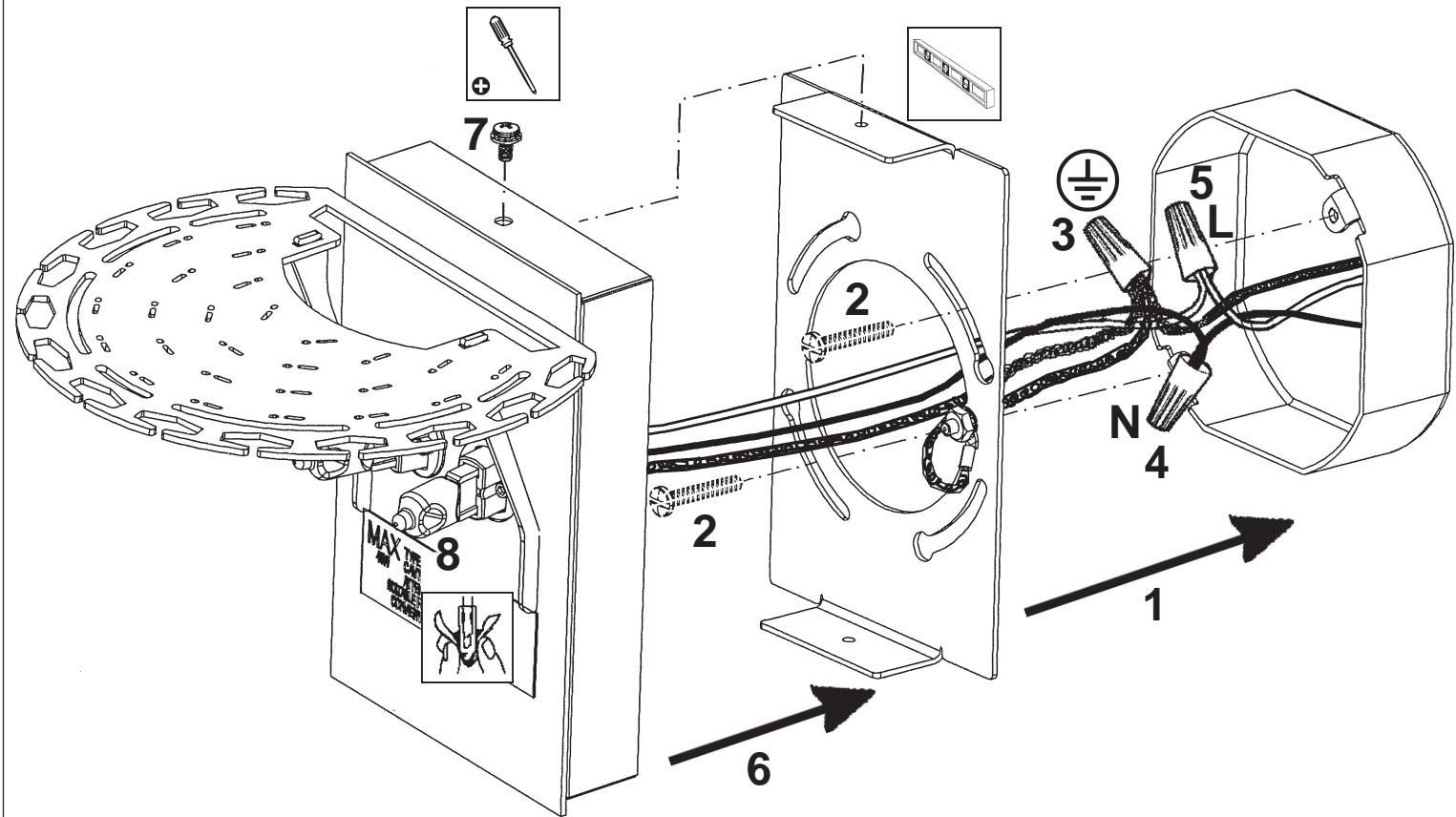
2 Lights  
Length: 6-1/2"  
Height: 23"  
Extension: 6"  
Hanging Weight: 6lbs.



**SCHONBEK®**

MAX <b>40</b> W		110-120 V						

2 X  : G9 40W MAX 



- 9 A1 - A2
- 10 B1 - B5
- 11 C1 - C8
- 12 D1 - D11
- 13 E1 - E13

After hanging all trim, remove labels from crystals. If residue remains, wipe off crystal with a soft, dry cloth.