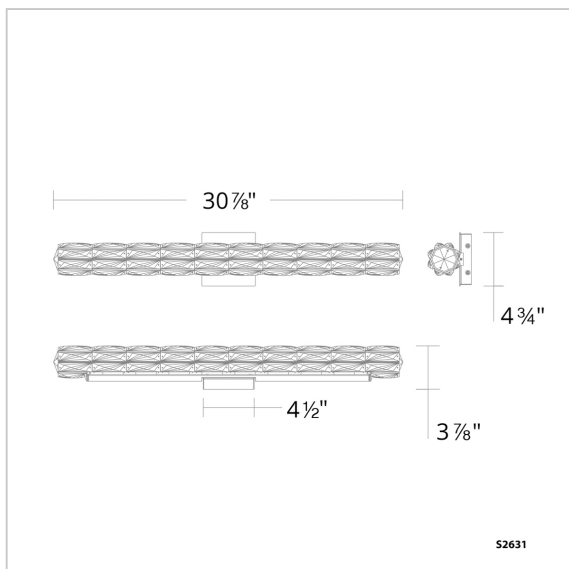


Verve LED

S2631



LINE DRAWING



DESCRIPTION

A cylinder of Swarovski crystals with a resplendent backlit style presents VERVE with an energizing presence. This LED luminaire scatters bright starbursts of light, reimagining the contemporary with extraordinary design ingenuity.

FEATURES

- Built in color temperature adjustability. Switch from 3000K/3500K/4000K. Switch may be installed in junction box.
- Can be mounted on wall in all orientations
- Driver concealed within the fixture

CRYSTAL OPTIONS



Radiance
Crystal
(R)

FINISH OPTIONS



Polished
Stainless
Steel
(-401)

SPECIFICATIONS

Light Source	LED
CRI	90
Dimming	ELV,0-10V, Triac
Standards	ETL/cETL, Title 24

REPLACEMENT PARTS

87/716/1SH - Sector Heritage Crystal

Model	Finish	Crystal	Size	CCT	Weight	Voltage	Wattage	LED Lumens	Delivered Lumens
S2631	- 401	R	31"	3000K/3500K/ 4000K	8.8lbs	120-277 VAC	28W	1680	Up To 1176

Example: S2631-401R