



SCHONBEK®

BAGATELLE 1248- __ __A



8 + 3 Lights
Diameter: 26-1/2"
Body Length: 29"
Hanging Weight: 23 lbs.

THIS DESIGN IS THE PROPRIETARY TRADE DRESS/TRADemark OF SWAROVSKI LIGHTING, LTD.

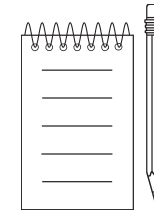
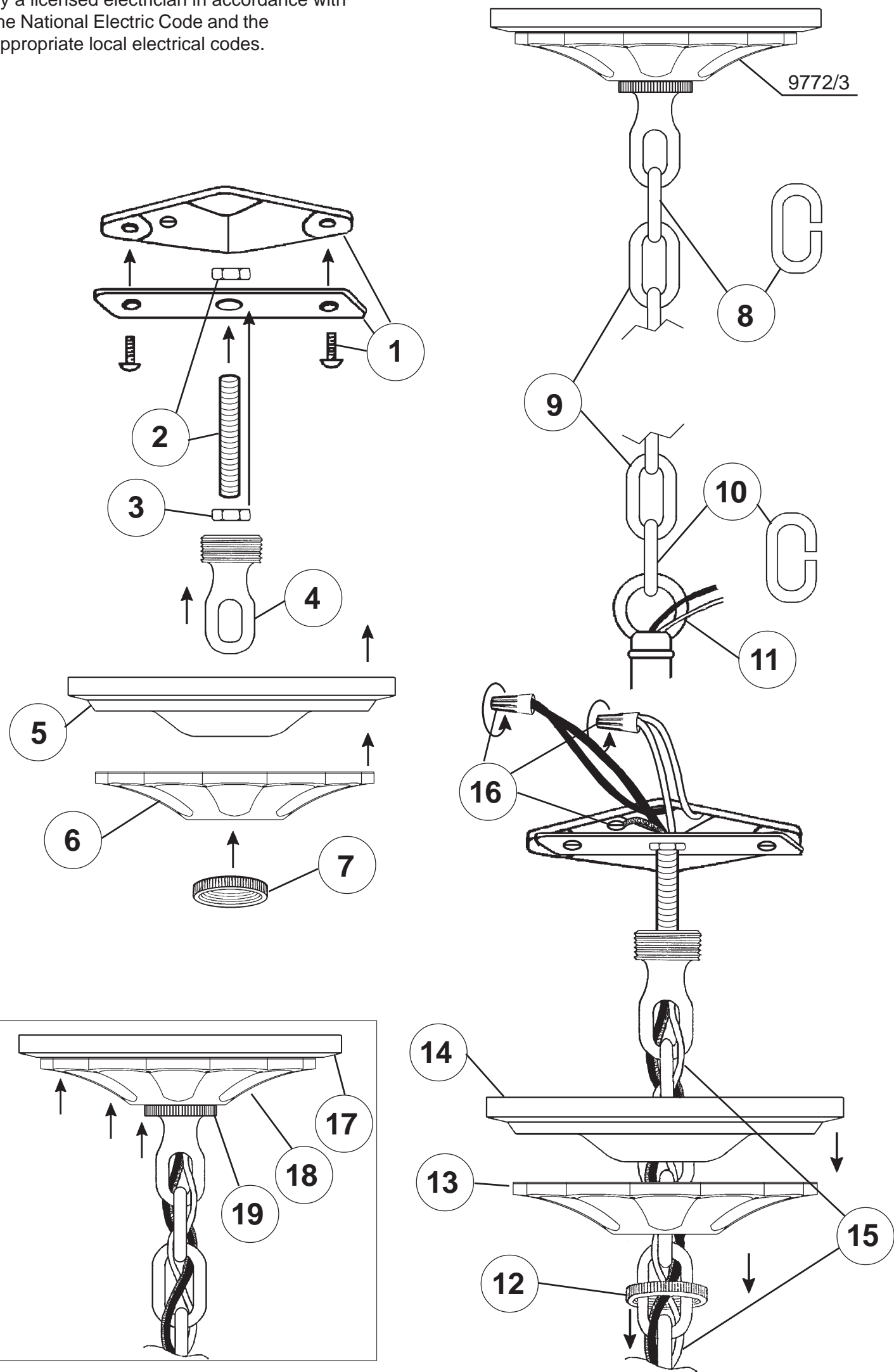


SCHONBEK®

MAX 60 W		110-120 V						

SCHONBEK® is a member of the Swarovski group.

All electrical components must be installed by a licensed electrician in accordance with the National Electric Code and the appropriate local electrical codes.

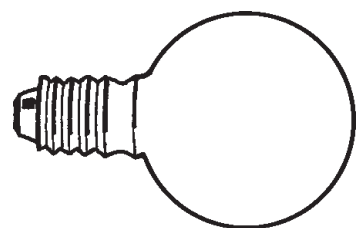






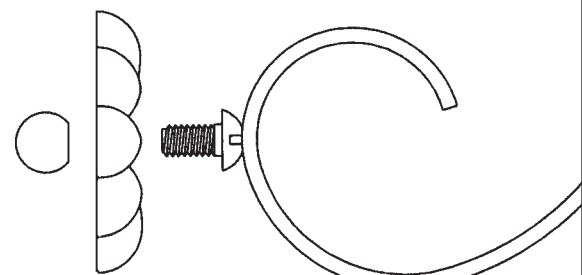
20

You will need 8 - B10
25 Watts Recommended
60 Watts Max



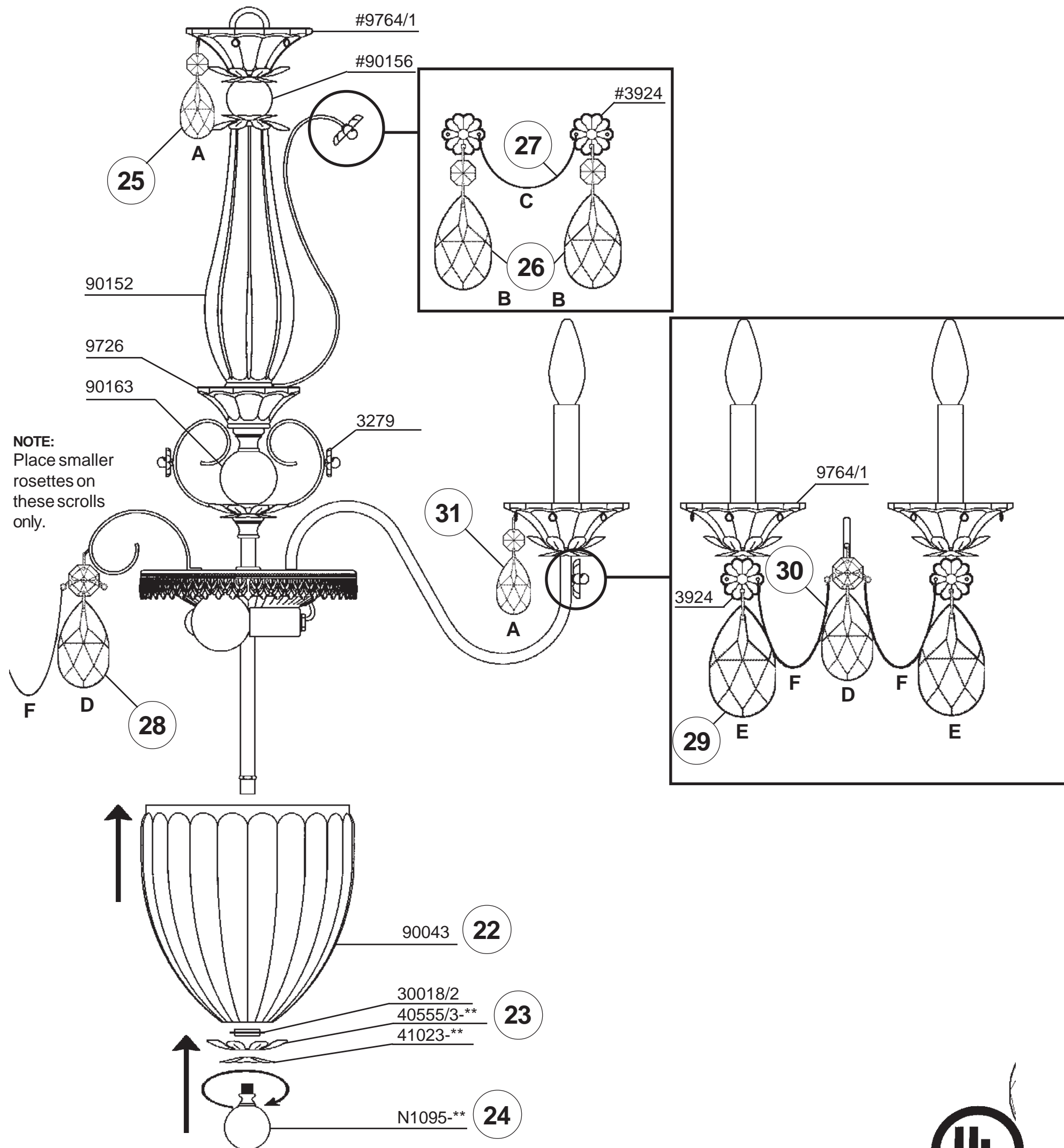
3 - G12 (supplied)
25 Watts Recommended
40 Watts Max

Install bulbs and be sure
to test fixture **BEFORE**
trimming.



21

Slide rosettes with flat side
facing towards you onto the
screws and secure with balls
provided.



NOTE:
Place smaller
rosettes on
these scrolls
only.

Chain "F" swags from
side loop on Drop "D"
to the next side hole on
the arm rosette.

