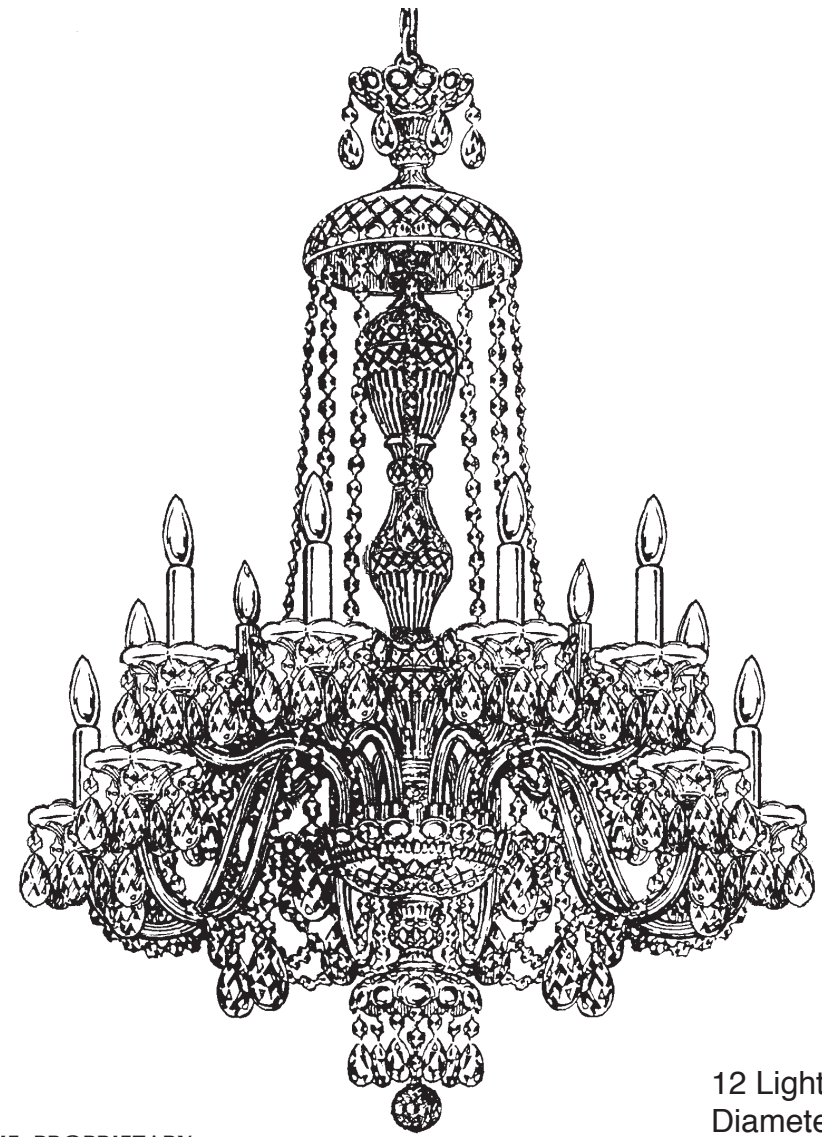




**SCHONBEK®**

**STERLING 2997- \_\_ \_ H**



**T**HIS DESIGN IS THE PROPRIETARY TRADE DRESS/TRADemark OF SWAROVSKILIGHTING, LTD.

12 Lights  
Diameter: 29"  
Body Length: 37"  
Hanging Weight: 32 lbs.

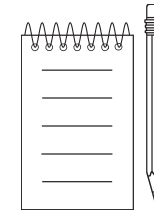
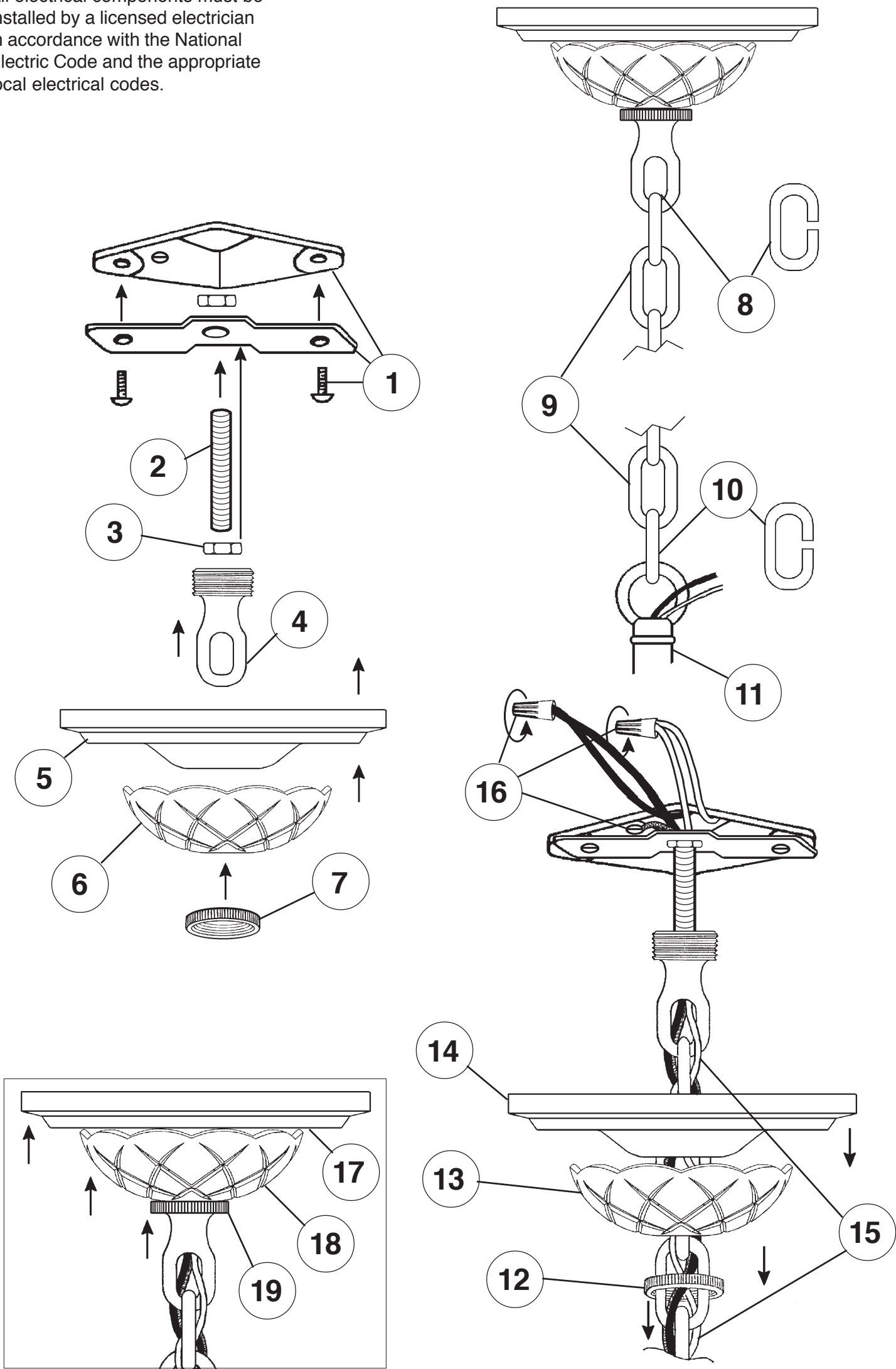


**SCHONBEK®**

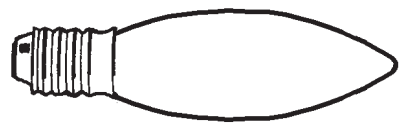
MAX 60 W		110-120 V						

SCHONBEK® is a member of the Swarovski group.

All electrical components must be installed by a licensed electrician in accordance with the National Electric Code and the appropriate local electrical codes.







21

You will need 12 - B10  
25 Watts Recommended  
60 Watts Max

Install bulbs and be sure  
to test fixture BEFORE  
trimming.

20

Install running thread and lock with set  
screw. ALTERNATELY install two different arms  
into washer. Line up holes in arms with dimple in  
washer. Use lock washer and nut to secure  
arms in place.

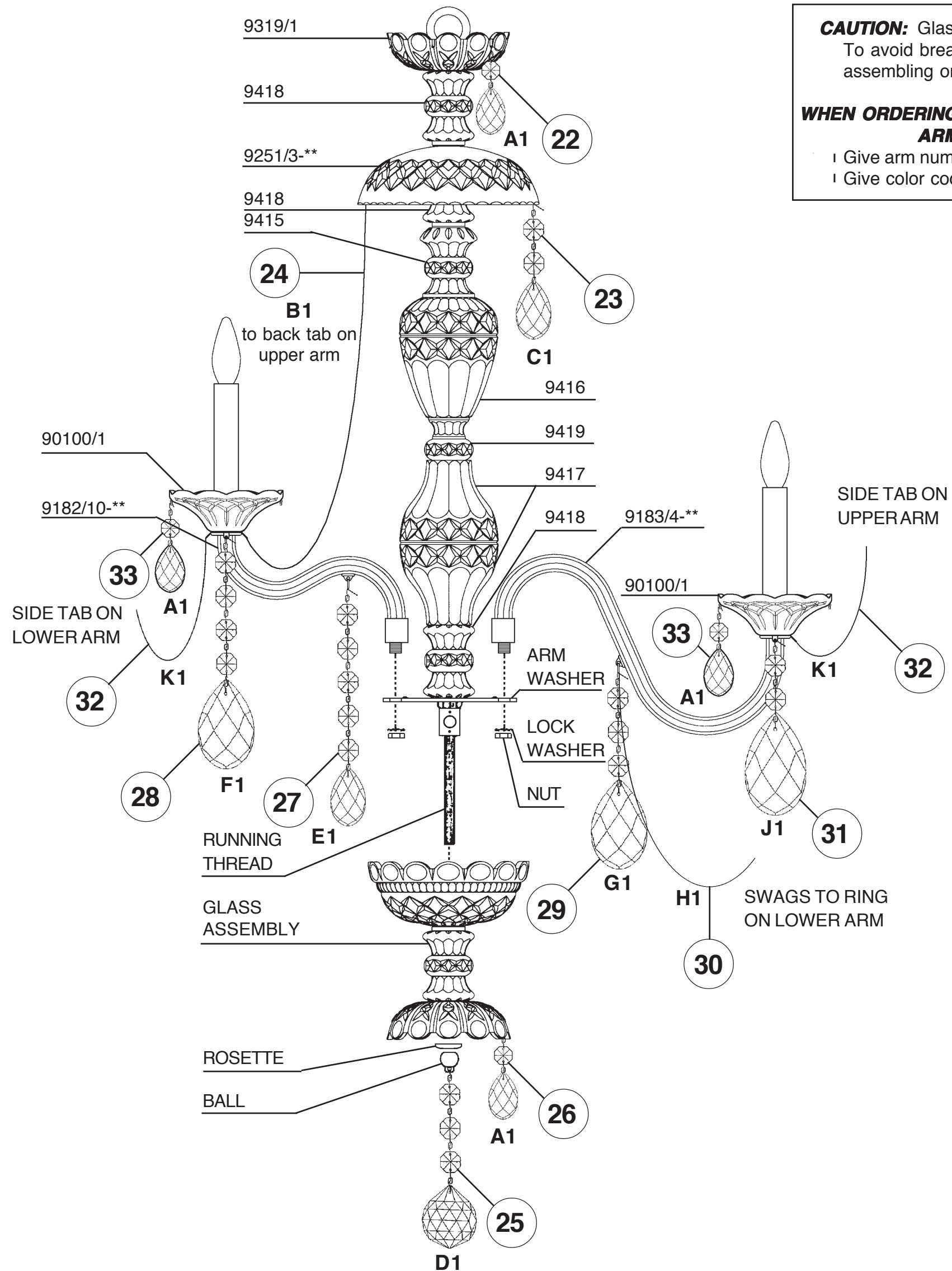
Connect ground wire in each arm to ground wire  
in center column. NO MORE THAN 5-WIRES  
PER WIRE NUT. Use electrical tape to secure  
wire nuts.

Connect white arm wires to neutral column wire  
(ribbed or marked is neutral).

Connect black arm wires to the power wire in  
column.

Carefully press wires as close as possible to  
the underside of washer.

Attach glass assembly with rosette and ball.



**CAUTION:** Glass parts are fragile.  
To avoid breakage use care when  
assembling or cleaning.

**WHEN ORDERING REPLACEMENT  
ARM(S):**

- ! Give arm number from trim diagram
- ! Give color code from the arm itself

